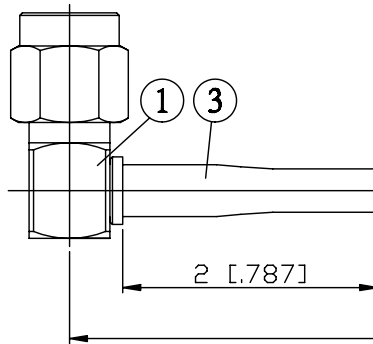
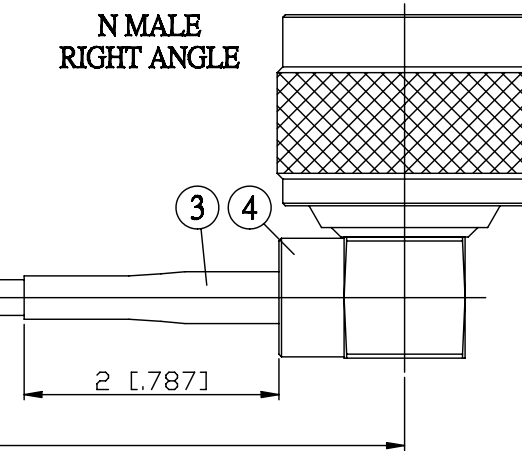


NO.	COMPONENTS	IMPEDANCE
1	SMA MALE RIGHT ANGLE	50 OHM
2	RG174	50 OHM
3	HEAT SHRINKING TUBE	
4	N MALE RIGHT ANGLE	50 OHM

SMA MALE  
RIGHT ANGLE



N MALE  
RIGHT ANGLE



JYE BAO P/N	L CM (INCH)
A39N39-174-15	15 (5.906)
A39N39-174-30	30 (11.811)
A39N39-174-50	50 (19.685)
A39N39-174-100	100 (39.370)
A39N39-174-150	150 (59.055)
A39N39-174-200	200 (78.740)
A39N39-174-XXX	CUSTOM LENGTH IN CM

LENGTH TOLERANCE  
IS  $\pm 1.5\%$  OR  $\pm 10\text{MM}$ ,  
WHICHEVER IS  
GREATER.

**JYE BAO CO., LTD.**

TAIPEI TAIWAN

DESCRIPTION

CABLE ASSEMBLY SMA PLUG R/A TO N PLUG R/A

JYE BAO DRAWING NO.

A39N39-174-XXX