

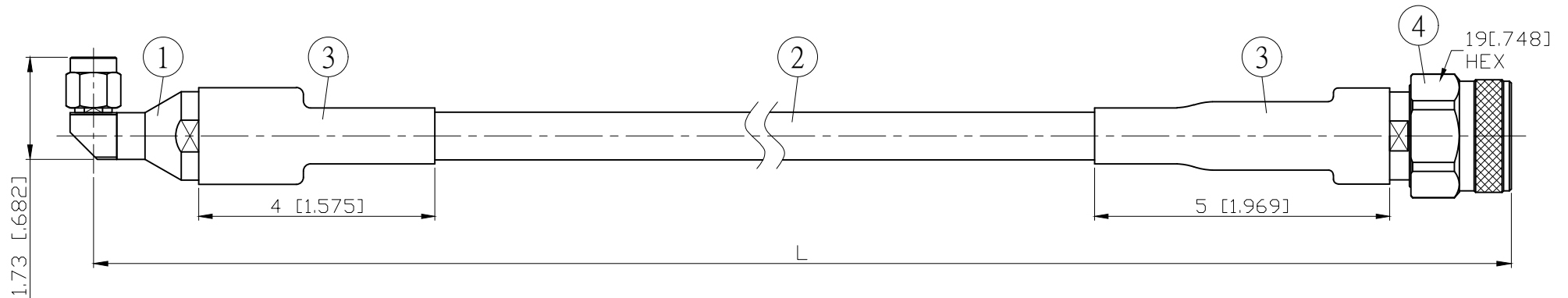
NO.	COMPONENTS	IMPEDANCE
1	SMA MALE RIGHT ANGLE	50 OHM
2	5006	50 OHM
3	HEAT SHRINKING TUBE	
4	N MALE	50 OHM

REVISION			
REV.	DESCRIPTON	DATE	APPROVED
-	INITIAL RELEASE	2020/08/10	

**TEST LEAD WITH EXTRA STURDY  
CABLE / CONNECTOR CONNECTION.**

SMA MALE  
RIGHT ANGLE

N MALE



JYE BAO P/N	Freq. (GHz)	Max. Return Loss	L CM (INCH)
A39N30-5006-18GXXX	18	-16.5dB	50 (19.685)
			100 (39.370)
			150 (59.055)
			200 (78.740)
			CUSTOM LENGTH IN CM

LENGTH TOLERANCE IS  $\pm 1.5\%$  OR  $\pm 10\text{MM}$ , WHICHEVER IS GREATER.

**JYE BAO CO., LTD.**

TAIPEI TAIWAN

DESCRIPTION

CABLE ASSEMBLY SMA PLUG R/A TO N PLUG

JYE BAO DRAWING NO.

A39N30-5006-18GXXX