

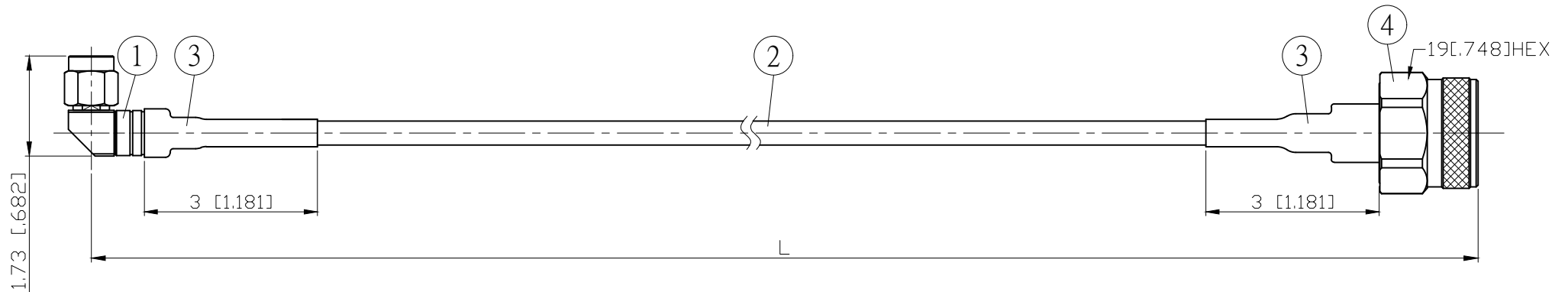
NO.	COMPONENTS	IMPEDANCE
1	SMA MALE RIGHT ANGLE	50 OHM
2	5003	50 OHM
3	HEAT SHRINKING TUBE	
4	N MALE	50 OHM

REVISION			
REV.	DESCRIPTION	DATE	APPROVED
-	INITIAL RELEASE	2013/08/23	
A	增加接頭介面圖、註記	2014/01/13	
B	SMA3200S-9402=>SMA3200S-M5003	2020/07/01	

## TEST LEAD WITH EXTRA STURDY CABLE / CONNECTOR CONNECTION.

SMA MALE  
RIGHT ANGLE

N MALE



JYE BAO P/N	Freq. (GHz)	Max. Return Loss	L CM (INCH)	L1 M (MM)
A39N30-5003-18GXXX	18	-18dB	50 (19.685)	0.481 (481.0)
			100 (39.370)	0.981 (981.0)
			150 (59.055)	1.481 (1481.0)
			200 (78.740)	1.981 (1981.0)
			CUSTOM LENGTH IN CM	---

				STANDARD	REV B	UNIT CM(INCH)	<b>JYE BAO CO., LTD.</b> TAIPEI TAIWAN	
				APPROVED		DATE		
				CHECKED		DATE	DESCRIPTION CABLE ASSEMBLY SMA PLUG R/A TO N PLUG	
				DRAWING	<i>Albert</i>	DATE	JYE BAO DRAWING NO. A39N30-5003-18GXXX	
4	N32SHS-S402	N PLUG	1	EA	LENGTH TOLERANCE IS ±1.5% OR ±10MM, WHICHEVER IS GREATER.			
3	G5(F)-10MM-BLACK	TUBE	0.07	M				
2	5003	CABLE	SEE TABLE L1	M				
1	SMA3200S-M5003	SMA PLUG R/A	1	EA				
NO.	PARTS NO.	DESCRIPTION	Q'TY	U/M				