

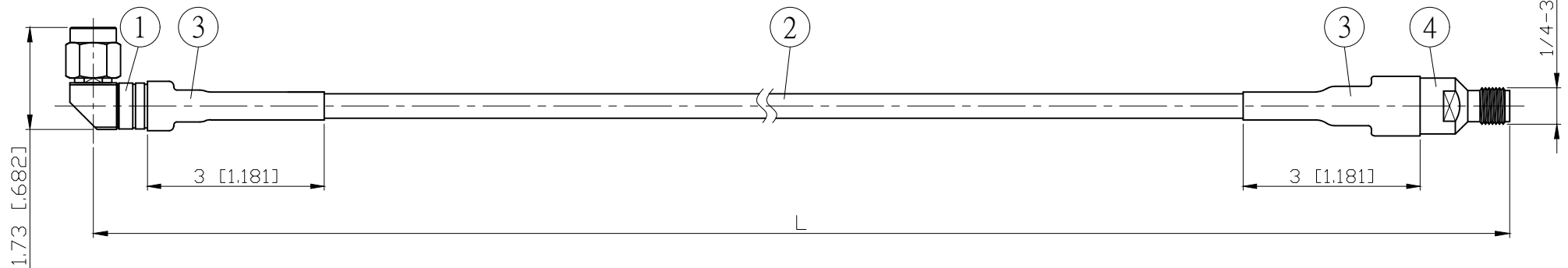
| NO. | COMPONENTS | IMPEDANCE |
|-----|----------------------|-----------|
| 1 | SMA MALE RIGHT ANGLE | 50 OHM |
| 2 | 5003 | 50 OHM |
| 3 | HEAT SHRINKING TUBE | |
| 4 | K FEMALE | 50 OHM |

| REVISION | | | |
|----------|-------------------------------|------------|----------|
| REV. | DESCRIPTION | DATE | APPROVED |
| - | INITIAL RELEASE | 2013/08/23 | |
| A | 增加接頭介面圖、註記 | 2014/01/13 | |
| B | SMA3200S-9402=>SMA3200S-M5003 | 2020/07/01 | |

TEST LEAD WITH EXTRA STURDY CABLE / CONNECTOR CONNECTION.

SMA MALE
RIGHT ANGLE

K FEMALE



| JYE BAO P/N | Freq. (GHz) | Max. Return Loss | L CM (INCH) | L1 M (MM) |
|--------------------|-------------|------------------|---------------------|----------------|
| A39K80-5003-18GXXX | 18 | -18dB | 50 (19.685) | 0.481 (481.0) |
| | | | 100 (39.370) | 0.981 (981.0) |
| | | | 150 (59.055) | 1.481 (1481.0) |
| | | | 200 (78.740) | 1.981 (1981.0) |
| | | | CUSTOM LENGTH IN CM | --- |

| | | | | STANDARD | REV B | UNIT CM(INCH) | JYE BAO CO., LTD. TAIPEI TAIWAN | |
|-----|------------------|--------------|--------------|----------|---|---------------|--|--|
| | | | | APPROVED | | DATE | | |
| | | | | CHECKED | | DATE | DESCRIPTION CABLE ASSEMBLY SMA PLUG R/A TO K JACK | |
| | | | | DRAWING | <i>Albert</i> | DATE | JYE BAO DRAWING NO. A39K80-5003-18GXXX | |
| 4 | K8200S-5003 | K JACK | 1 | EA | LENGTH TOLERANCE IS ±1.5% OR ±10MM, WHICHEVER IS GREATER. | | | |
| 3 | G5(F)-10MM-BLACK | TUBE | 0.07 | M | | | | |
| 2 | 5003 | CABLE | SEE TABLE L1 | M | | | | |
| 1 | SMA3200S-M5003 | SMA PLUG R/A | 1 | EA | | | | |
| NO. | PARTS NO. | DESCRIPTION | Q'TY | U/M | | | | |