

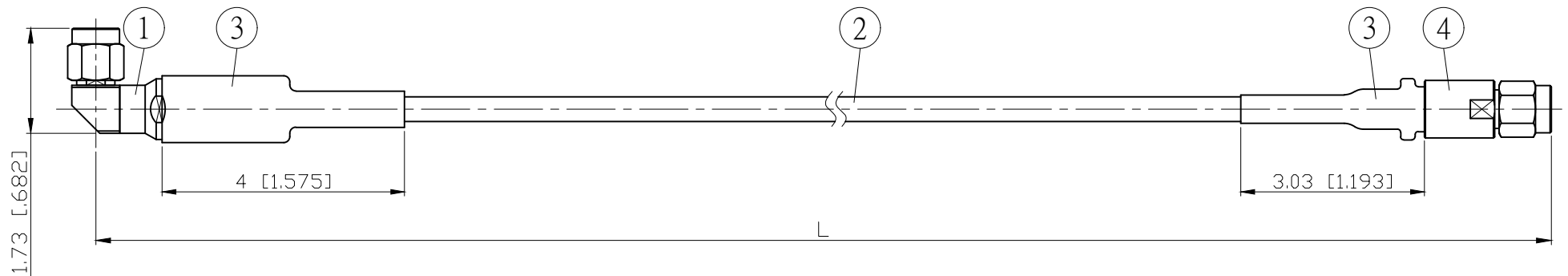
NO.	COMPONENTS	IMPEDANCE
1	SMA MALE RIGHT ANGLE	50 OHM
2	5004	50 OHM
3	HEAT SHRINKING TUBE	
4	K MALE	50 OHM

REVISION			
REV.	DESCRIPTION	DATE	APPROVED
-	INITIAL RELEASE	2013/08/23	
A	增加接頭介面圖、註記	2014/01/13	
B	SMA3200S-9L160=>SMA3200S-M5004	2020/07/01	

TEST LEAD WITH EXTRA STURDY CABLE / CONNECTOR CONNECTION.

SMA MALE
RIGHT ANGLE

K MALE



JYE BAO P/N	Freq. (GHz)	Max. Return Loss	L CM (INCH)	L1 M (MM)
A39K30-5004-18GXXX	18	-16.5dB	50 (19.685)	0.477 (476.5)
			100 (39.370)	0.977 (976.5)
			150 (59.055)	1.477 (1476.5)
			200 (78.740)	1.977 (1976.5)
			CUSTOM LENGTH IN CM	---

				STANDARD	REV B	UNIT CM(INCH)	JYE BAO CO., LTD. TAIPEI TAIWAN
				APPROVED		DATE	
				CHECKED		DATE	
				DRAWING	<i>Albert</i>	DATE	
4	K3200S-0L160	K PLUG	1	EA			DESCRIPTION CABLE ASSEMBLY SMA PLUG R/A TO K PLUG JYE BAO DRAWING NO. A39K30-5004-18GXXX
3	G5(F)-10MM-BLACK	TUBE	0.07	M			
2	5004	CABLE	SEE TABLE L1	M			
1	SMA3200S-M5004	SMA PLUG R/A	1	EA			
NO.	PARTS NO.	DESCRIPTION	Q'TY	U/M	LENGTH TOLERANCE IS ±1.5% OR ±10MM, WHICHEVER IS GREATER.		