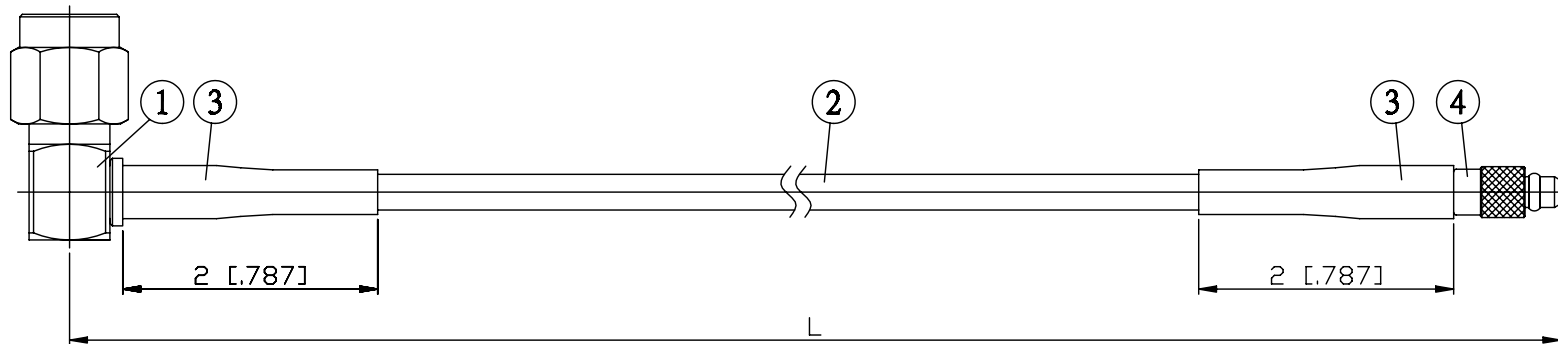


| NO. | COMPONENTS | IMPEDANCE |
|-----|----------------------|-----------|
| 1 | SMA MALE RIGHT ANGLE | 50 OHM |
| 2 | RG174 | 50 OHM |
| 3 | HEAT SHRINKING TUBE | |
| 4 | MMCX MALE | 50 OHM |

SMA MALE
RIGHT ANGLE

MMCX MALE



| JYE BAO P/N | L CM (INCH) |
|----------------|------------------------|
| A39E30-174-15 | 15 (5.906) |
| A39E30-174-30 | 30 (11.811) |
| A39E30-174-50 | 50 (19.685) |
| A39E30-174-100 | 100 (39.370) |
| A39E30-174-150 | 150 (59.055) |
| A39E30-174-200 | 200 (78.740) |
| A39E30-174-XXX | CUSTOM LENGTH IN CM |

| | |
|--|---|
| LENGTH TOLERANCE IS ±1.5% OR ±10MM, WHICHEVER IS GREATER. | JYE BAO CO., LTD. TAIPEI TAIWAN |
| | DESCRIPTION CABLE ASSEMBLY SMA PLUG R/A TO MMCX PLUG |
| | JYE BAO DRAWING NO. A39E30-174-XXX |