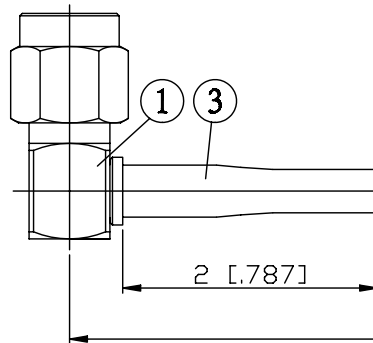


NO.	COMPONENTS	IMPEDANCE
1	SMA MALE RIGHT ANGLE	50 OHM
2	JBY100	50 OHM
3	HEAT SHRINKING TUBE	
4	MCX FEMALE FOR BULKHEAD	50 OHM

SMA MALE  
RIGHT ANGLE



2

L

MCX FEMALE  
FOR BULKHEAD

GASKET

3

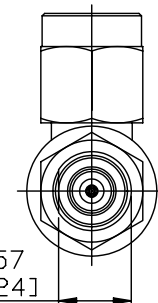
4

1/4-36UNS-2A

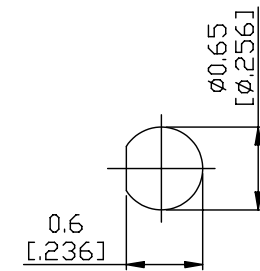
0.8 [0.315] HEX

2 [0.787]

0.57  
[0.224]



JYE BAO P/N	L CM (INCH)
A39D85-L100-15	15 (5.906)
A39D85-L100-30	30 (11.811)
A39D85-L100-50	50 (19.685)
A39D85-L100-100	100 (39.370)
A39D85-L100-150	150 (59.055)
A39D85-L100-200	200 (78.740)
A39D85-L100-XXX	CUSTOM LENGTH IN CM



MOUNTING HOLE

<p>LENGTH TOLERANCE IS ±1.5% OR ±10MM, WHICHEVER IS GREATER.</p>	<p><b>JYE BAO CO., LTD.</b></p> <p>TAIPEI TAIWAN</p>
	<p>DESCRIPTION CABLE ASSEMBLY SMA PLUG R/A TO MCX JACK FOR BULKHEAD</p>
	<p>JYE BAO DRAWING NO. A39D85-L100-XXX</p>