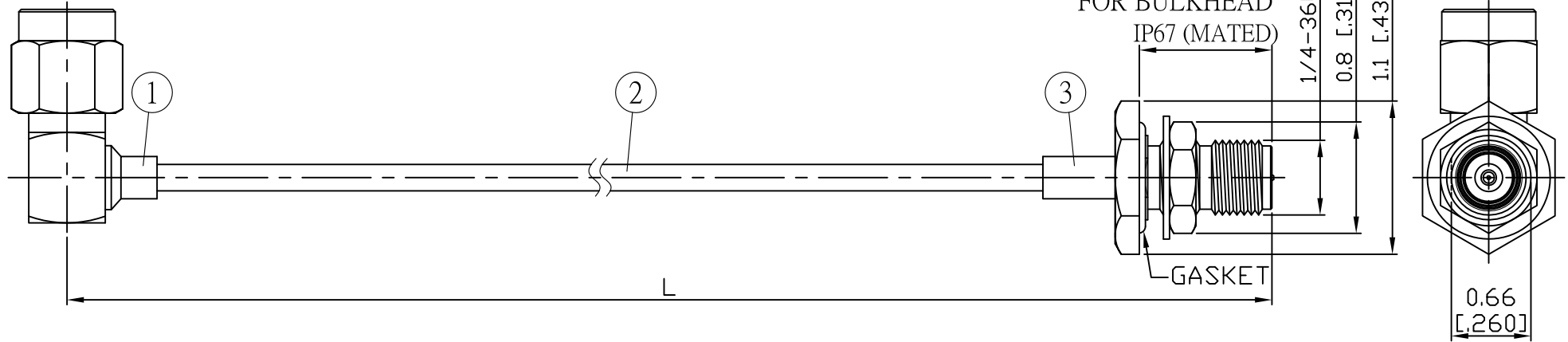


NO.	COMPONENTS	IMPEDANCE
1	SMA MALE RIGHT ANGLE	50 OHM
2	.085" TIN PLATED SEMI-RIGID CABLE (TIN PLATED RG405)	50 OHM
3	SMA REVERSE POLARITY FEMALE FOR BULKHEAD	50 OHM

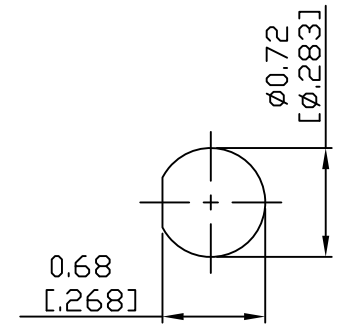
REVISION			
REV.	DESCRIPTION	DATE	APPROVED
-	INITIAL RELEASE	2012/08/15	
A	修正SMA螺紋規格	2013/10/01	

SMA MALE
RIGHT ANGLE

SMA R/P FEMALE
FOR BULKHEAD



JYE BAO P/N	L CM (INCH)	L1 FT (MM)
A39A95-85T-15	15 (5.906)	0.476 (145.0)
A39A95-85T-30	30 (11.811)	0.968 (295.0)
A39A95-85T-50	50 (19.685)	1.624 (495.0)
A39A95-85T-100	100 (39.370)	3.264 (995.0)
A39A95-85T-150	150 (59.055)	4.905 (1495.0)
A39A95-85T-200	200 (78.740)	6.545 (1995.0)
A39A95-85T-XXX	CUSTOM LENGTH IN CM	- - -



MOUNTING HOLE

				STANDARD	REV A	UNIT CM(INCH)	JYE BAO CO., LTD. TAIPEI TAIWAN
				APPROVED		DATE	
				CHECKED		DATE	
				DRAWING Albert		DATE	
3	SMA9305A-0085	SMA R/P JACK	1	EA	DESCRIPTION CABLE ASSEMBLY SMA PLUG R/A TO SMA R/P JACK FOR BULKHEAD		
2	.085TIN-W-P-50	CABLE	L1 (SEE TABLE)	FT	JYE BAO DRAWING NO.		
1	SMA3300-9085	SMA PLUG R/A	1	EA	A39A95-85T-XXX		
NO.	PARTS NO.	DESCRIPTION	Q'TY	U/M			

LENGTH TOLERANCE IS ±1.5% OR ±10MM, WHICHEVER IS GREATER.