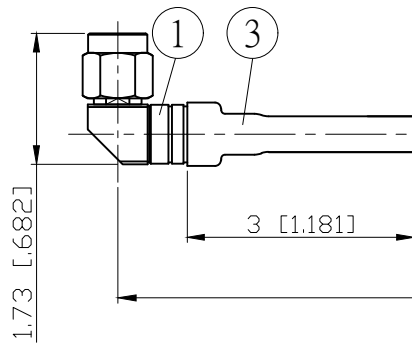


NO.	COMPONENTS	IMPEDANCE
1	SMA MALE RIGHT ANGLE	50 OHM
2	5003	50 OHM
3	HEAT SHRINKING TUBE	
4	SMA FEMALE FOR BULKHEAD	50 OHM

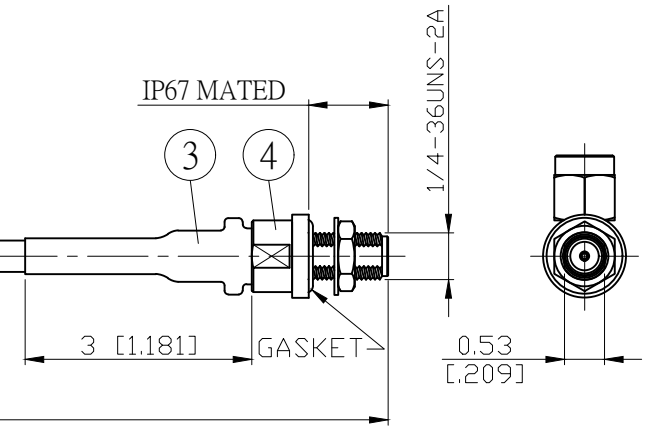
REVISION			
REV.	DESCRIPTION	DATE	APPROVED
-	INITIAL RELEASE	2013/08/23	
A	增加接頭介面圖、註記	2014/01/13	
B	SMA3200S-9402=>SMA3200S-M5003	2020/07/01	

TEST LEAD WITH EXTRA STURDY CABLE / CONNECTOR CONNECTION.

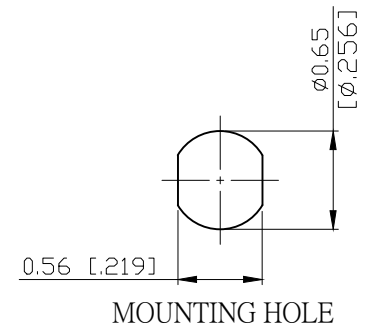
SMA MALE
RIGHT ANGLE



SMA FEMALE
FOR BULKHEAD



JYE BAO P/N	Freq. (GHz)	Max. Return Loss	L CM (INCH)	L1 M (MM)
A39A85-5003-18GXXX	18	-18dB	50 (19.685)	0.484 (483.5)
			100 (39.370)	0.984 (983.5)
			150 (59.055)	1.484 (1483.5)
			200 (78.740)	1.984 (1983.5)
			CUSTOM LENGTH IN CM	- - -



					STANDARD	REV B	UNIT CM(INCH)	JYE BAO CO., LTD.	
					APPROVED		DATE	TAIPEI TAIWAN	
					CHECKED		DATE	DESCRIPTION	CABLE ASSEMBLY SMA PLUG R/A TO SMA FEMALE FOR BULKHEAD
					DRAWING	<i>Albert</i>	DATE	JYE BAO DRAWING NO.	A39A85-5003-18GXXX
4	SMA8205S-S402	SMA JACK	1	EA	LENGTH TOLERANCE IS ±1.5% OR ±10MM, WHICHEVER IS GREATER.				
3	G5(F)-10MM-BLACK	TUBE	0.07	M					
2	5003	CABLE	SEE TABLE L1	M					
1	SMA3200S-M5003	SMA PLUG R/A	1	EA					
NO.	PARTS NO.	DESCRIPTION	QTY	U/M					