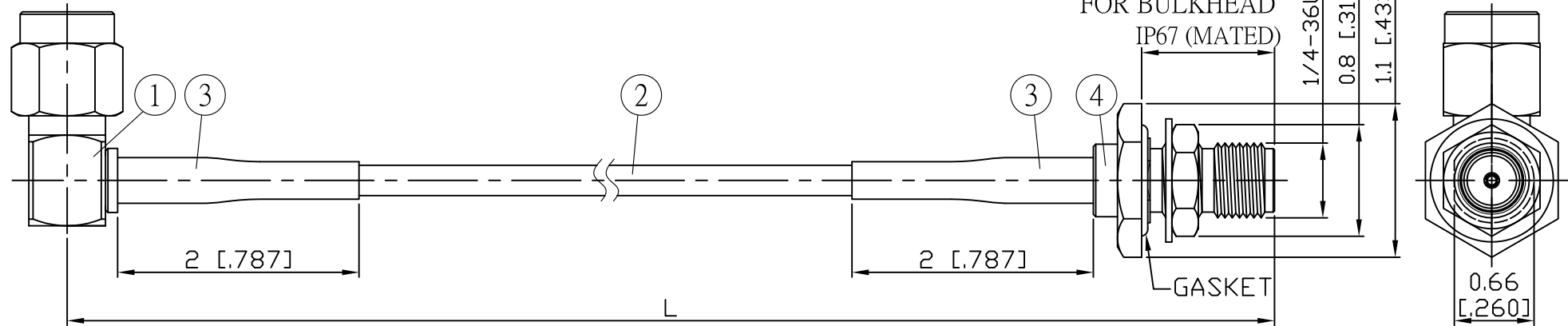


NO.	COMPONENTS	IMPEDANCE
1	SMA MALE RIGHT ANGLE	50 OHM
2	RG316	50 OHM
3	HEAT SHRINKING TUBE	
4	SMA FEMALE FOR BULKHEAD	50 OHM

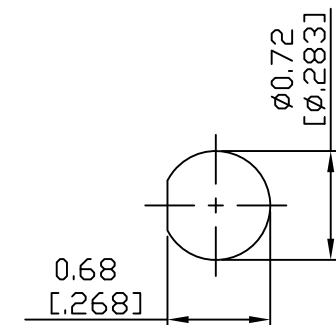
REVISION			
REV.	DESCRIPTION	DATE	APPROVED
-	INITIAL RELEASE	2011/03/15	
A	修正SMA螺紋規格	2013/10/01	

SMA MALE
RIGHT ANGLE

SMA FEMALE
FOR BULKHEAD
IP67 (MATED)



JYE BAO P/N	L CM (INCH)	L1 FT (MM)
A39A85-316-15	15 (5.906)	0.476 (145.0)
A39A85-316-30	30 (11.811)	0.968 (295.0)
A39A85-316-50	50 (19.685)	1.624 (495.0)
A39A85-316-100	100 (39.370)	3.264 (995.0)
A39A85-316-150	150 (59.055)	4.905 (1495.0)
A39A85-316-200	200 (78.740)	6.545 (1995.0)
A39A85-316-XXX	CUSTOM LENGTH IN CM	- - -



MOUNTING HOLE

				STANDARD	REV A	UNIT CM(INCH)	JYE BAO CO., LTD.	
				APPROVED			TAIPEI TAIWAN	
				CHECKED		DATE	DESCRIPTION CABLE ASSEMBLY SMA PLUG R/A TO SMA JACK FOR BULKHEAD	
				DRAWING	Albert	DATE	JYE BAO DRAWING NO. A39A85-316-XXX	
4	SMA8105-0316	SMA JACK	1	EA	LENGTH TOLERANCE IS $\pm 1.5\%$ OR ± 10 MM, WHICHEVER IS GREATER.			
3	G5(F)-4.0MM-BLACK	TUBE	0.04	M				
2	RG316	CABLE	L1 (SEE TABLE)	FT				
1	SMA3100-9316	SMA PLUG R/A	1	EA				
NO.	PARTS NO.	DESCRIPTION	Q'TY	U/M				