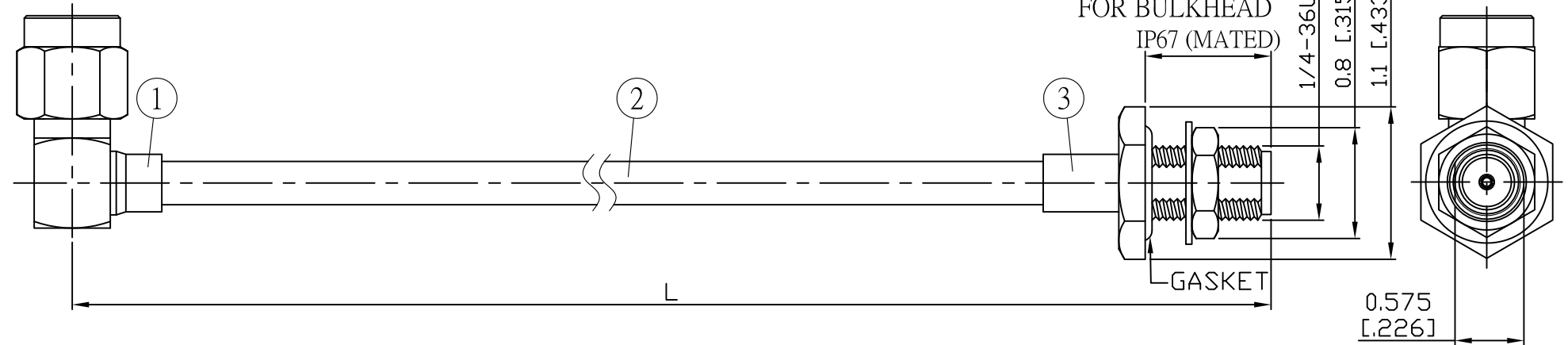


| NO. | COMPONENTS | IMPEDANCE |
|-----|--|-----------|
| 1 | SMA MALE RIGHT ANGLE | 50 OHM |
| 2 | .141" TIN PLATED SEMI-RIGID CABLE (TIN PLATED RG402) | 50 OHM |
| 3 | SMA FEMALE FOR BULKHEAD | 50 OHM |

| REVISION | | | |
|----------|-----------------|------------|----------|
| REV. | DESCRIPTION | DATE | APPROVED |
| - | INITIAL RELEASE | 2011/03/15 | |
| A | 修正SMA螺紋規格 | 2013/10/01 | |

SMA MALE
RIGHT ANGLE



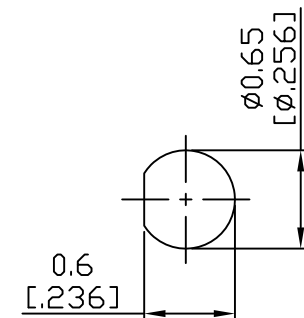
SMA FEMALE
FOR BULKHEAD
IP67 (MATED)

1/4-36UNS-2A
0.8 [3.15] HEX
1.1 [4.33] HEX

GASKET

0.575
[2.26]

| JYE BAO P/N | L CM (INCH) | L1 FT (MM) |
|-----------------|------------------------|----------------|
| A39A85-141T-15 | 15 (5.906) | 0.476 (145.0) |
| A39A85-141T-30 | 30 (11.811) | 0.968 (295.0) |
| A39A85-141T-50 | 50 (19.685) | 1.624 (495.0) |
| A39A85-141T-100 | 100 (39.370) | 3.264 (995.0) |
| A39A85-141T-150 | 150 (59.055) | 4.905 (1495.0) |
| A39A85-141T-200 | 200 (78.740) | 6.545 (1995.0) |
| A39A85-141T-XXX | CUSTOM LENGTH IN CM | - - - |



MOUNTING HOLE

| | | | | |
|-----|----------------|--------------|----------------|-----|
| 3 | SMA8305-0141 | SMA JACK | 1 | EA |
| 2 | .141TIN-W-P-50 | CABLE | L1 (SEE TABLE) | FT |
| 1 | SMA3300-9141 | SMA PLUG R/A | 1 | EA |
| NO. | PARTS NO. | DESCRIPTION | Q'TY | U/M |

| LENGTH TOLERANCE IS ±1.5% OR ±10MM, WHICHEVER IS GREATER. | STANDARD | REV | UNIT |
|---|----------|-----|----------|
| | | A | CM(INCH) |
| | APPROVED | | DATE |
| | CHECKED | | DATE |
| | DRAWING | | DATE |
| | Albert | | |

| JYE BAO CO., LTD. | |
|--------------------------|--|
| TAIPEI TAIWAN | |
| DESCRIPTION | CABLE ASSEMBLY SMA PLUG R/A TO SMA JACK FOR BULKHEAD |
| JYE BAO DRAWING NO. | A39A85-141T-XXX |