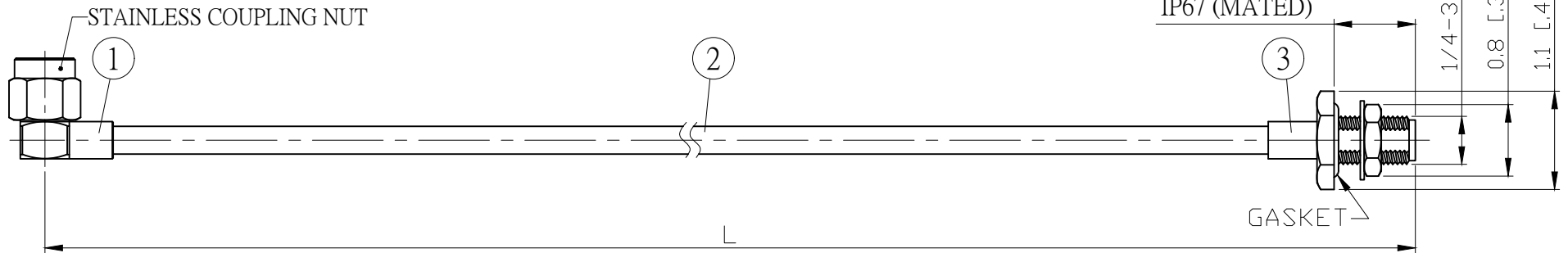


NO.	COMPONENTS	IMPEDANCE
1	SMA MALE RIGHT ANGLE	50 OHM
2	.141" HANDBENDABLE CABLE (= JYEBAO P/N .141SRF-W-P-50)	50 OHM
3	SMA FEMALE FOR BULKHEAD	50 OHM

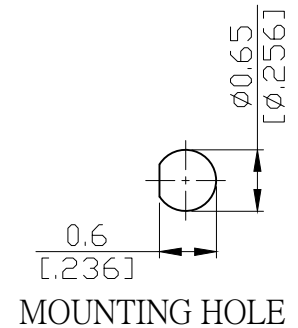
REVISION			
REV.	DESCRIPTION	DATE	APPROVED
-	INITIAL RELEASE	2016/01/20	

SMA MALE
RIGHT ANGLE

SMA FEMALE
FOR BULKHEAD



JYE BAO P/N	Freq. (GHz)	Max. Return Loss	L CM (INCH)	L1 FT (MM)
A39A85-141S-18GXXX	18	-16.5dB	50 (19.685)	1.622 (494.5)
			100 (39.370)	3.263 (994.5)
			150 (59.055)	4.903 (1494.5)
			200 (78.740)	6.544 (1994.5)
			CUSTOM LENGTH IN CM	CUSTOM LENGTH IN CM



					STANDARD	REV -	UNIT CM(INCH)	JYE BAO CO., LTD.	
					APPROVED			TAIPEI TAIWAN	
					CHECKED			DESCRIPTION	CABLE ASSEMBLY SMA PLUG TO SMA JACK FOR BULKHEAD
					DRAWING	Albert		JYE BAO DRAWING NO.	A39A85-141S-18GXXX
3	SMA8305-0141	SMA JACK	1	EA	LENGTH TOLERANCE IS ±1.5% OR ±10MM, WHICHEVER IS GREATER.				
2	.141SRF-W-P-50	CABLE	L1 (SEE TABLE)	FT					
1	SMA33NPC-9141	SMA PLUG R/A	1	EA					
NO.	PARTS NO.	DESCRIPTION	Q'TY	U/M					