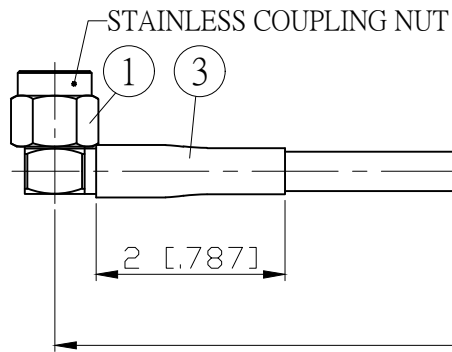


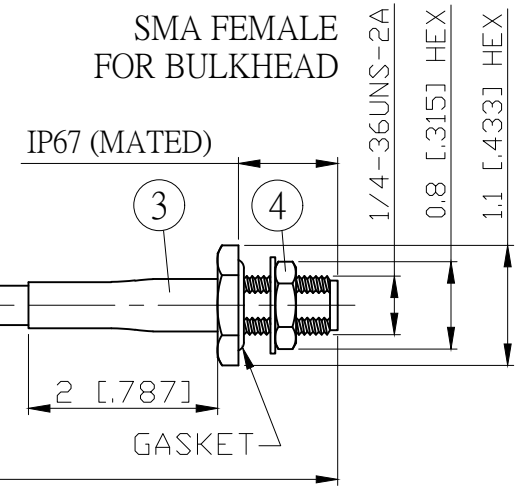
NO.	COMPONENTS	IMPEDANCE
1	SMA MALE RIGHT ANGLE	50 OHM
2	.141" HANDBENDABLE CABLE WITH FEP JACKET (=JYBAO P/N .141SRF-W-P-50-F)	50 OHM
3	HEAT SHRINKING TUBE	
4	SMA FEMALE FOR BULKHEAD	50 OHM

REVISION			
REV.	DESCRIPTION	DATE	APPROVED
-	INITIAL RELEASE	2016/01/20	

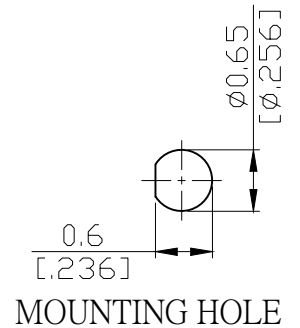
SMA MALE
RIGHT ANGLE



SMA FEMALE
FOR BULKHEAD



JYE BAO P/N	Freq. (GHz)	Max. Return Loss	L CM (INCH)	L1 FT (MM)
A39A85-141F-18GXXX	18	-16.5dB	50 (19.685)	1.622 (494.5)
			100 (39.370)	3.263 (994.5)
			150 (59.055)	4.903 (1494.5)
			200 (78.740)	6.544 (1994.5)
			CUSTOM LENGTH IN CM	CUSTOM LENGTH IN CM



NO.	PARTS NO.	DESCRIPTION	QTY	U/M	LENGTH TOLERANCE IS ±1.5% OR ±10MM, WHICHEVER IS GREATER.	STANDARD	REV	UNIT	JYE BAO CO., LTD. TAIPEI TAIWAN
4	SMA8305-0402	SMA JACK	1	EA		APPROVED	-	CM(INCH)	
3	G5(F)-4.0MM-BLACK	TUBE	0.04	M		CHECKED		DATE	
2	.141SRF-W-P-50-F	CABLE	L1 (SEE TABLE)	FT		DRAWING		DATE	
1	SMA33NPC-9402	SMA PLUG R/A	1	EA		Albert		DATE	DESCRIPTION CABLE ASSEMBLY SMA PLUG R/A TO SMA JACK FOR BULKHEAD
									JYE BAO DRAWING NO. A39A85-141F-18GXXX