

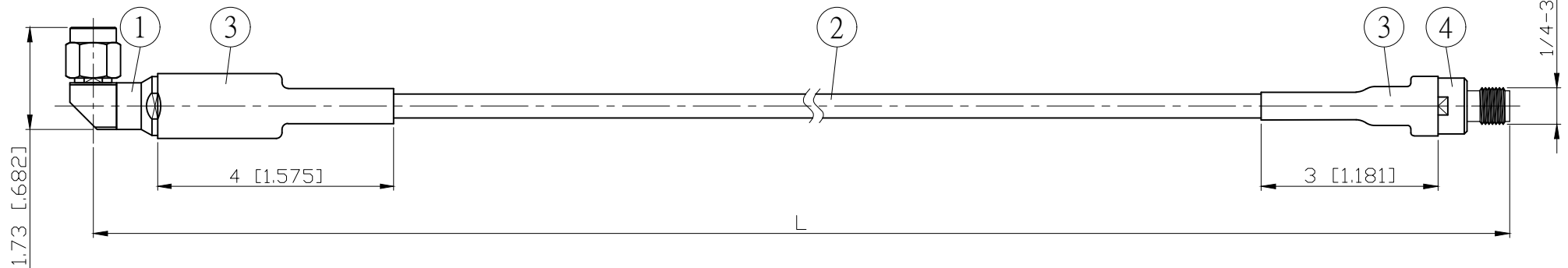
NO.	COMPONENTS	IMPEDANCE
1	SMA MALE RIGHT ANGLE	50 OHM
2	5004	50 OHM
3	HEAT SHRINKING TUBE	
4	SMA FEMALE	50 OHM

REVISION			
REV.	DESCRIPTION	DATE	APPROVED
-	INITIAL RELEASE	2013/08/23	
A	增加接頭介面圖、註記	2014/01/13	
B	SMA3200S-9L160=>SMA3200S-M5004	2020/07/01	

TEST LEAD WITH EXTRA STURDY CABLE / CONNECTOR CONNECTION.

SMA MALE
RIGHT ANGLE

SMA FEMALE



JYE BAO P/N	Freq. (GHz)	Max. Return Loss	L CM (INCH)	L1 M (MM)
A39A80-5004-18GXXX	18	-16.5dB	50 (19.685)	0.484 (483.5)
			100 (39.370)	0.984 (983.5)
			150 (59.055)	1.484 (1483.5)
			200 (78.740)	1.984 (1983.5)
			CUSTOM LENGTH IN CM	---

				STANDARD	REV B	UNIT CM(INCH)	JYE BAO CO., LTD. TAIPEI TAIWAN	
				APPROVED		DATE		DESCRIPTION CABLE ASSEMBLY SMA PLUG R/A TO SMA JACK
				CHECKED		DATE		
				DRAWING	<i>Albert</i>	DATE		JYE BAO DRAWING NO. A39A80-5004-18GXXX
4	SMA8200S-L160	SMA JACK	1	EA	LENGTH TOLERANCE IS $\pm 1.5\%$ OR $\pm 10\text{MM}$, WHICHEVER IS GREATER.			
3	G5(F)-10MM-BLACK	TUBE	0.07	M				
2	5004	CABLE	SEE TABLE L1	M				
1	SMA3200S-M5004	SMA PLUG R/A	1	EA				
NO.	PARTS NO.	DESCRIPTION	Q'TY	U/M				