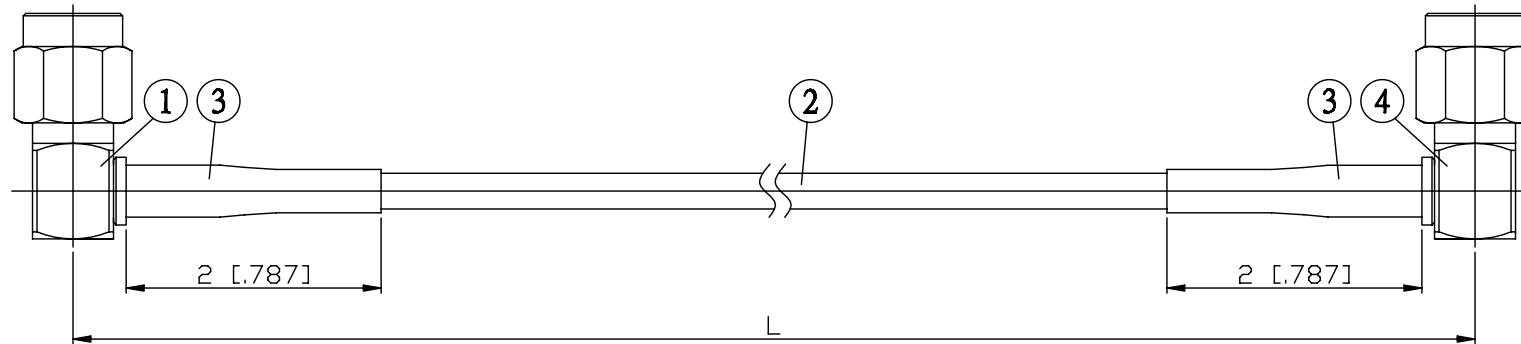


NO.	COMPONENTS	IMPEDANCE
1	SMA MALE RIGHT ANGLE	50 OHM
2	JBY100	50 OHM
3	HEAT SHRINKING TUBE	
4	SMA REVERSE POLARITY MALE RIGHT ANGLE	50 OHM

SMA MALE  
RIGHT ANGLE

SMA R/P MALE  
RIGHT ANGLE



JYE BAO P/N	L CM (INCH)
A39A69-L100-15	15 (5.906)
A39A69-L100-30	30 (11.811)
A39A69-L100-50	50 (19.685)
A39A69-L100-100	100 (39.370)
A39A69-L100-150	150 (59.055)
A39A69-L100-200	200 (78.740)
A39A69-L100-XXX	CUSTOM LENGTH IN CM

LENGTH TOLERANCE IS $\pm 1.5\%$ OR $\pm 10\text{MM}$ , WHICHEVER IS GREATER.	<b>JYE BAO CO., LTD.</b> TAIPEI TAIWAN
	DESCRIPTION CABLE ASSEMBLY SMA PLUG R/A TO SMA R/P PLUG R/A
	JYE BAO DRAWING NO. A39A69-L100-XXX