

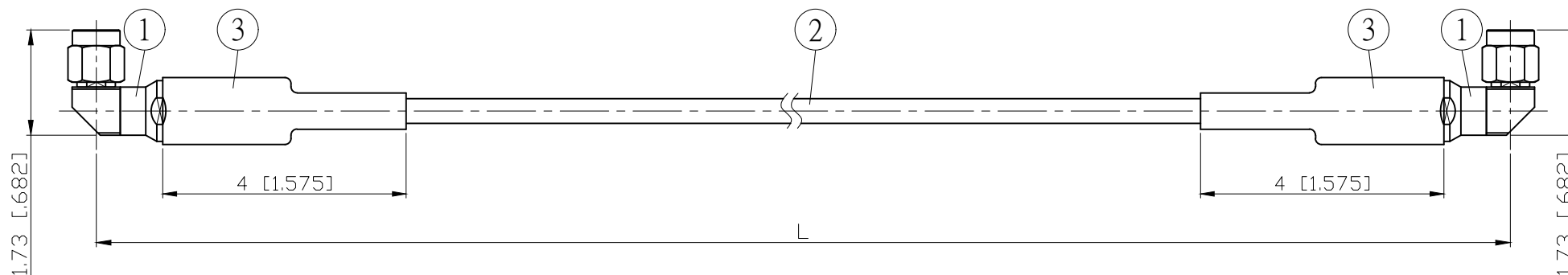
| NO. | COMPONENTS | IMPEDANCE |
|-----|----------------------|-----------|
| 1 | SMA MALE RIGHT ANGLE | 50 OHM |
| 2 | 5004 | 50 OHM |
| 3 | HEAT SHRINKING TUBE | |

| REVISION | | | |
|----------|-----------------|------------|----------|
| REV. | DESCRIPTON | DATE | APPROVED |
| - | INITIAL RELEASE | 2020/07/01 | |

TEST LEAD WITH EXTRA STURDY CABLE / CONNECTOR CONNECTION.

SMA MALE
RIGHT ANGLE

SMA MALE
RIGHT ANGLE



| JYE BAO P/N | Freq. (GHz) | Max. Return Loss | L CM (INCH) | L1 M (MM) |
|--------------------|-------------|------------------|---------------------|----------------|
| A39A39-5004-18GXXX | 18 | -16.5dB | 50 (19.685) | 0.480 (479.5) |
| | | | 100 (39.370) | 0.980 (979.5) |
| | | | 150 (59.055) | 1.480 (1479.5) |
| | | | 200 (78.740) | 1.980 (1979.5) |
| | | | CUSTOM LENGTH IN CM | - - - |

| | | | | | | | | | |
|-----|------------------|--------------|--------------|-----|--|----------|---------------|---------------|---|
| 3 | G5(F)-10MM-BLACK | TUBE | 0.08 | M | LENGTH TOLERANCE IS $\pm 1.5\%$ OR $\pm 10\text{MM}$, WHICHEVER IS GREATER. | STANDARD | REV - | UNIT CM(INCH) | JYE BAO CO., LTD. TAIPEI TAIWAN |
| 2 | 5004 | CABLE | SEE TABLE L1 | M | | APPROVED | | DATE | |
| 1 | SMA3200S-M5004 | SMA PLUG R/A | 2 | EA | | CHECKED | | DATE | |
| NO. | PARTS NO. | DESCRIPTION | Q'TY | U/M | | DRAWING | <i>Albert</i> | DATE | |
| | | | | | | | | | DESCRIPTION |
| | | | | | | | | | CABLE ASSEMBLY SMA PLUG R/A TO SMA PLUG R/A |
| | | | | | | | | | JYE BAO DRAWING NO. |
| | | | | | | | | | A39A39-5004-18GXXX |