

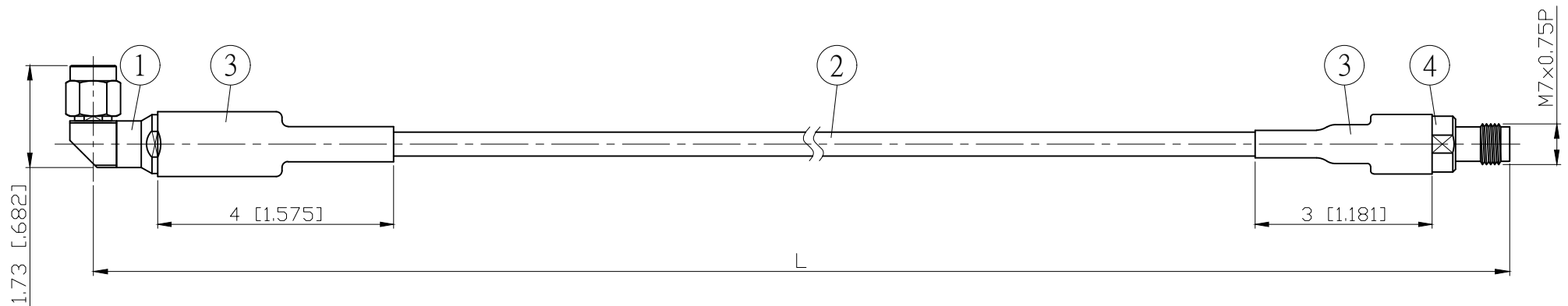
NO.	COMPONENTS	IMPEDANCE
1	SMA MALE RIGHT ANGLE	50 OHM
2	5004	50 OHM
3	HEAT SHRINKING TUBE	
4	2.4 FEMALE	50 OHM

REVISION			
REV.	DESCRIPTION	DATE	APPROVED
-	INITIAL RELEASE	2013/08/23	
A	增加接頭介面圖、註記	2014/01/13	
B	SMA3200S-9L160=>SMA3200S-M5004	2020/07/01	

TEST LEAD WITH EXTRA STURDY CABLE / CONNECTOR CONNECTION.

SMA MALE
RIGHT ANGLE

2.4 FEMALE



JYE BAO P/N	Freq. (GHz)	Max. Return Loss	L CM (INCH)	L1 M (MM)
A392480-5004-18GXXX	18	-16.5dB	50 (19.685)	0.477 (477.0)
			100 (39.370)	0.977 (977.0)
			150 (59.055)	1.477 (1477.0)
			200 (78.740)	1.977 (1977.0)
			CUSTOM LENGTH IN CM	---

				STANDARD	REV B	UNIT CM(INCH)	JYE BAO CO., LTD. TAIPEI TAIWAN	
				APPROVED		DATE		
				CHECKED		DATE	DESCRIPTION CABLE ASSEMBLY SMA PLUG R/A TO 2.4 JACK	
				DRAWING	<i>Albert</i>	DATE	JYE BAO DRAWING NO. A392480-5004-18GXXX	
4	2.4-8200S-0L160	2.4 JACK	1	EA	LENGTH TOLERANCE IS ±1.5% OR ±10MM, WHICHEVER IS GREATER.			
3	G5(F)-10MM-BLACK	TUBE	0.07	M				
2	5004	CABLE	SEE TABLE L1	M				
1	SMA3200S-M5004	SMA PLUG R/A	1	EA				
NO.	PARTS NO.	DESCRIPTION	Q'TY	U/M				