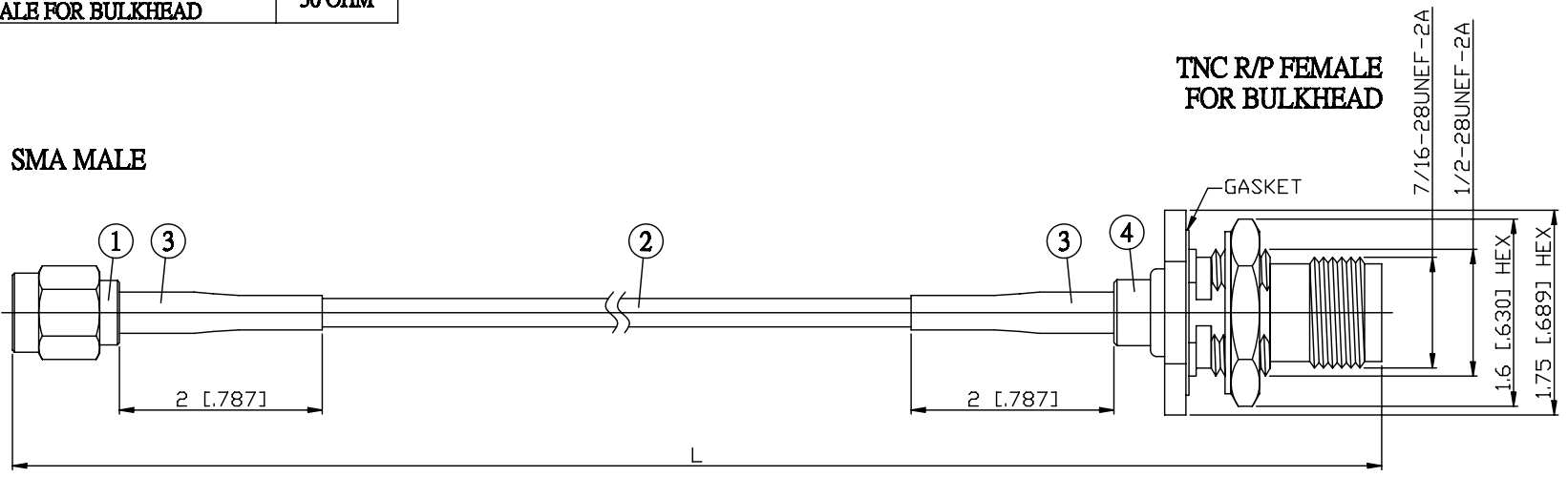
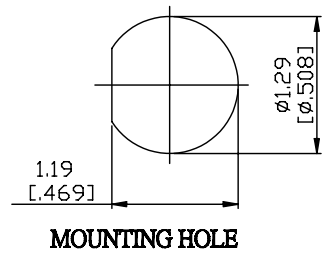


NO.	COMPONENTS	IMPEDANCE
1	SMA MALE	50 OHM
2	RG174	50 OHM
3	HEAT SHRINKING TUBE	
4	TNC REVERSE POLARITY FEMALE FOR BULKHEAD	50 OHM



JYE BAO P/N	L CM (INCH)
A30T95-174-15	15 (5.906)
A30T95-174-30	30 (11.811)
A30T95-174-50	50 (19.685)
A30T95-174-100	100 (39.370)
A30T95-174-150	150 (59.055)
A30T95-174-200	200 (78.740)
A30T95-174-XXX	CUSTOM LENGTH IN CM



<b>LENGTH TOLERANCE IS ±1.5% OR ±10MM, WHICHEVER IS GREATER.</b>	<b>JYE BAO CO., LTD.</b> TAIPEI TAIWAN
	<b>DESCRIPTION</b> CABLE ASSEMBLY SMA PLUG TO TNC R/P JACK FOR BULKHEAD
	<b>JYE BAO DRAWING NO.</b> A30T95-174-XXX