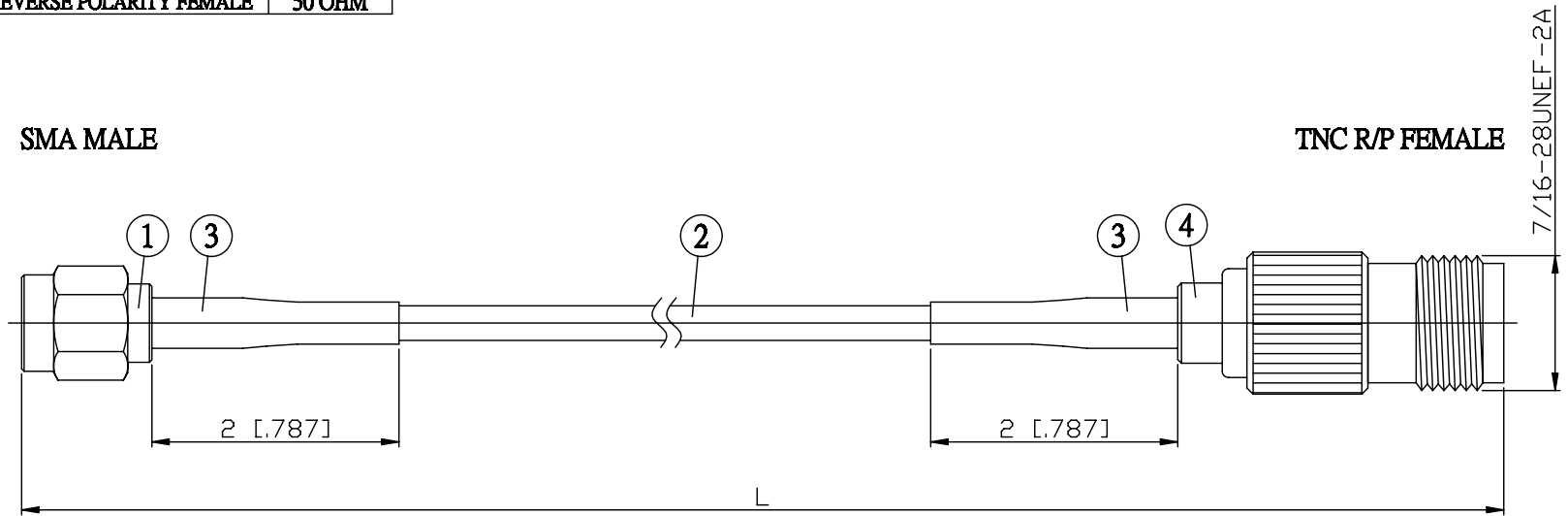


NO.	COMPONENTS	IMPEDANCE
1	SMA MALE	50 OHM
2	JBY100	50 OHM
3	HEAT SHRINKING TUBE	
4	TNC REVERSE POLARITY FEMALE	50 OHM



JYE BAO P/N	L CM (INCH)
A30T90-L100-15	15 (5.906)
A30T90-L100-30	30 (11.811)
A30T90-L100-50	50 (19.685)
A30T90-L100-100	100 (39.370)
A30T90-L100-150	150 (59.055)
A30T90-L100-200	200 (78.740)
A30T90-L100-XXX	CUSTOM LENGTH IN CM

LENGTH TOLERANCE IS $\pm 1.5\%$ OR $\pm 10\text{MM}$, WHICHEVER IS GREATER.	JYE BAO CO., LTD. TAIPEI TAIWAN
	DESCRIPTION CABLE ASSEMBLY SMA PLUG TO TNC R/P JACK
	JYE BAO DRAWING NO. A30T90-L100-XXX