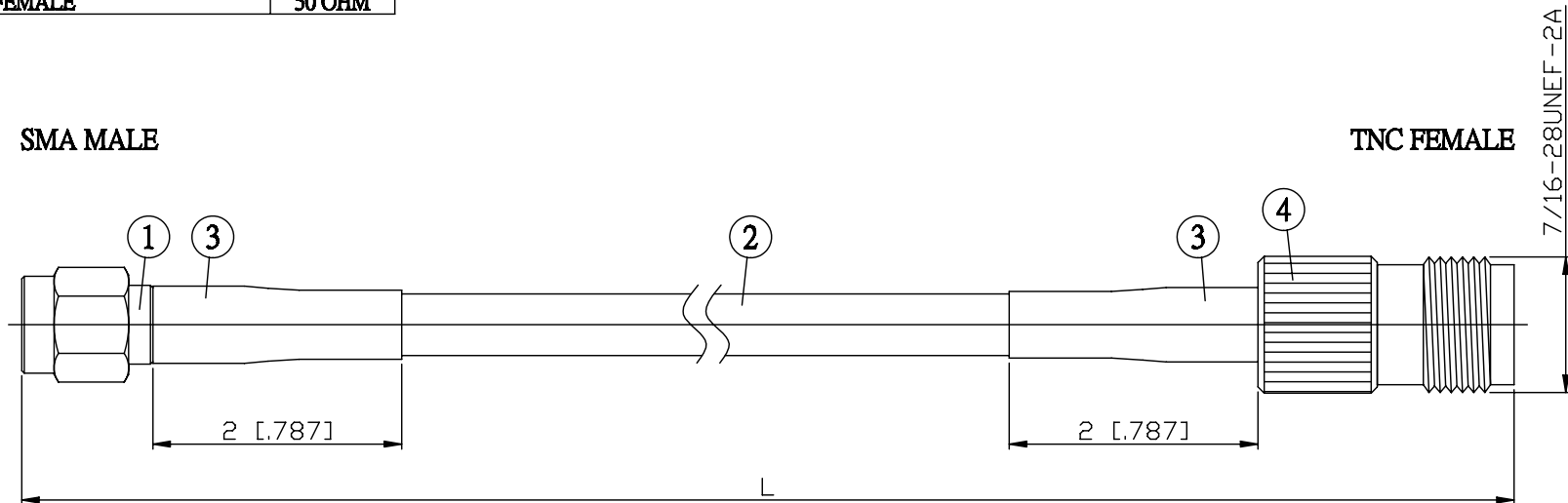


| NO. | COMPONENTS          | IMPEDANCE |
|-----|---------------------|-----------|
| 1   | SMA MALE            | 50 OHM    |
| 2   | JBY195              | 50 OHM    |
| 3   | HEAT SHRINKING TUBE |           |
| 4   | TNC FEMALE          | 50 OHM    |



| JYE BAO P/N     | L<br>CM (INCH)         |
|-----------------|------------------------|
| A30T80-L195-15  | 15 (5.906)             |
| A30T80-L195-30  | 30 (11.811)            |
| A30T80-L195-50  | 50 (19.685)            |
| A30T80-L195-100 | 100 (39.370)           |
| A30T80-L195-150 | 150 (59.055)           |
| A30T80-L195-200 | 200 (78.740)           |
| A30T80-L195-XXX | CUSTOM<br>LENGTH IN CM |

|  |  |
|--|--|
| LENGTH TOLERANCE<br>IS ±1.5% OR ±10MM,<br>WHICHEVER IS<br>GREATER. | <b>JYE BAO CO., LTD.</b><br>TAIPEI TAIWAN          |
|  | DESCRIPTION<br>CABLE ASSEMBLY SMA PLUG TO TNC JACK |
|  | JYE BAO DRAWING NO.<br>A30T80-L195-XXX             |