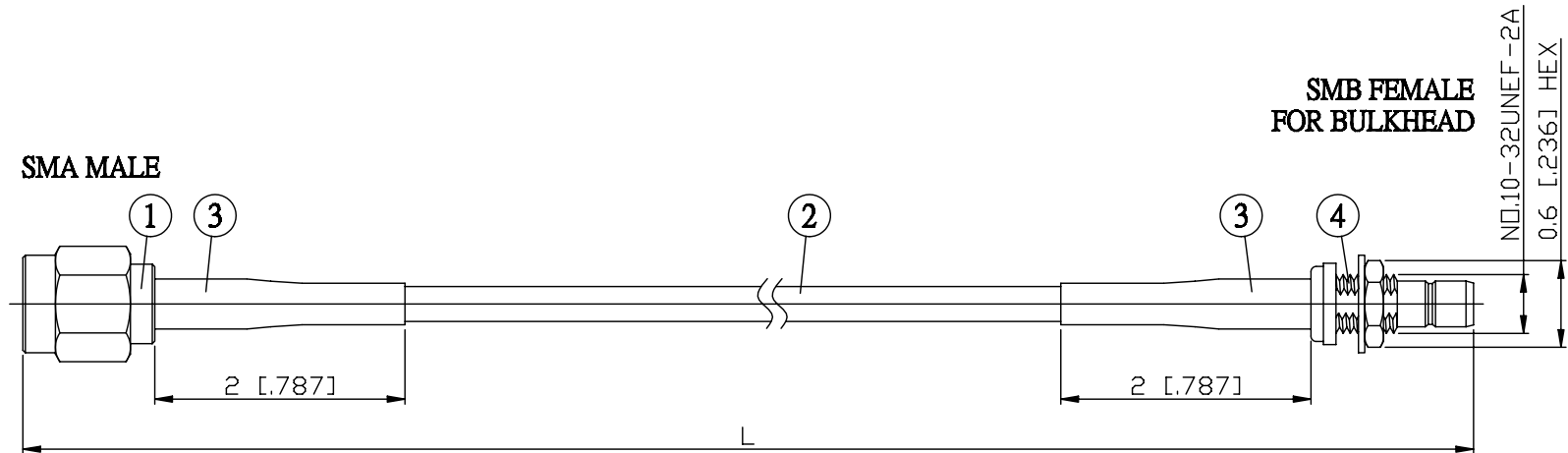
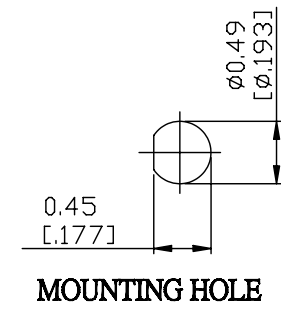


| NO. | COMPONENTS | IMPEDANCE |
|-----|-------------------------|-----------|
| 1 | SMA MALE | 50 OHM |
| 2 | JBY100 | 50 OHM |
| 3 | HEAT SHRINKING TUBE | |
| 4 | SMB FEMALE FOR BULKHEAD | 50 OHM |



| JYE BAO P/N | L CM (INCH) |
|-----------------|------------------------|
| A30S85-L100-15 | 15 (5.906) |
| A30S85-L100-30 | 30 (11.811) |
| A30S85-L100-50 | 50 (19.685) |
| A30S85-L100-100 | 100 (39.370) |
| A30S85-L100-150 | 150 (59.055) |
| A30S85-L100-200 | 200 (78.740) |
| A30S85-L100-XXX | CUSTOM LENGTH IN CM |



| | | |
|--|--------------------------|--|
| LENGTH TOLERANCE IS ±1.5% OR ±10MM, WHICHEVER IS GREATER. | JYE BAO CO., LTD. | |
| | TAIPEI TAIWAN | |
| | DESCRIPTION | CABLE ASSEMBLY SMA PLUG TO SMB JACK FOR BULKHEAD |
| | JYE BAO DRAWING NO. | A30S85-L100-XXX |