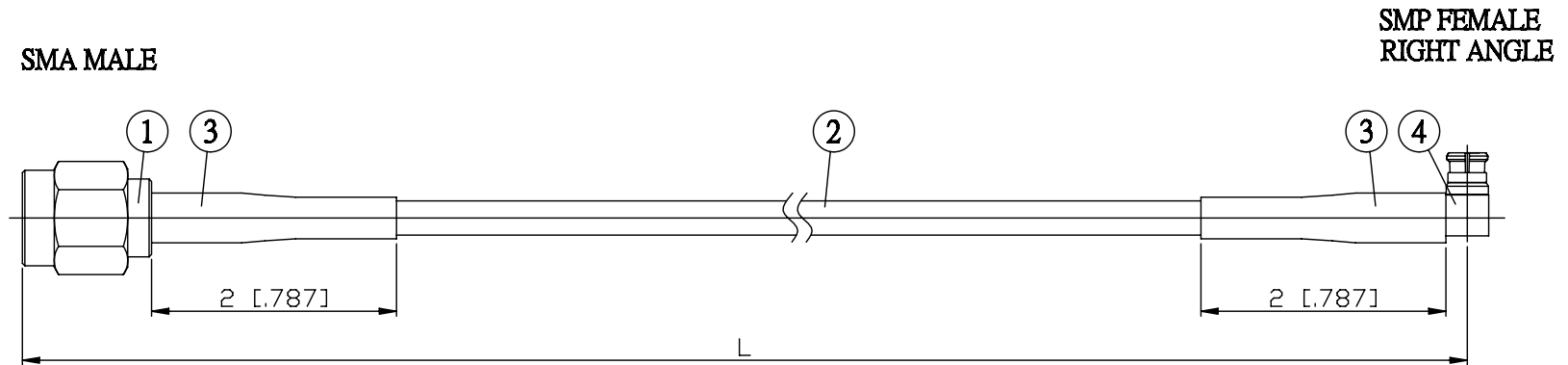


| NO. | COMPONENTS             | IMPEDANCE |
|-----|------------------------|-----------|
| 1   | SMA MALE               | 50 OHM    |
| 2   | JBY100                 | 50 OHM    |
| 3   | HEAT SHRINKING TUBE    |           |
| 4   | SMP FEMALE RIGHT ANGLE | 50 OHM    |



| JYE BAO P/N     | L<br>CM (INCH)         |
|-----------------|------------------------|
| A30P89-L100-15  | 15 (5.906)             |
| A30P89-L100-30  | 30 (11.811)            |
| A30P89-L100-50  | 50 (19.685)            |
| A30P89-L100-100 | 100 (39.370)           |
| A30P89-L100-150 | 150 (59.055)           |
| A30P89-L100-200 | 200 (78.740)           |
| A30P89-L100-XXX | CUSTOM<br>LENGTH IN CM |

|  |   |
|--|---|
| <b>LENGTH TOLERANCE<br/>IS ±1.5% OR ±10MM,<br/>WHICHEVER IS<br/>GREATER.</b> | <b>JYE BAO CO., LTD.</b><br>TAIPEI TAIWAN                             |
|  | <small>DESCRIPTION</small><br>CABLE ASSEMBLY SMA PLUG TO SMP JACK R/A |
|  | <small>JYE BAO DRAWING NO.</small><br>A30P89-L100-XXXX                |