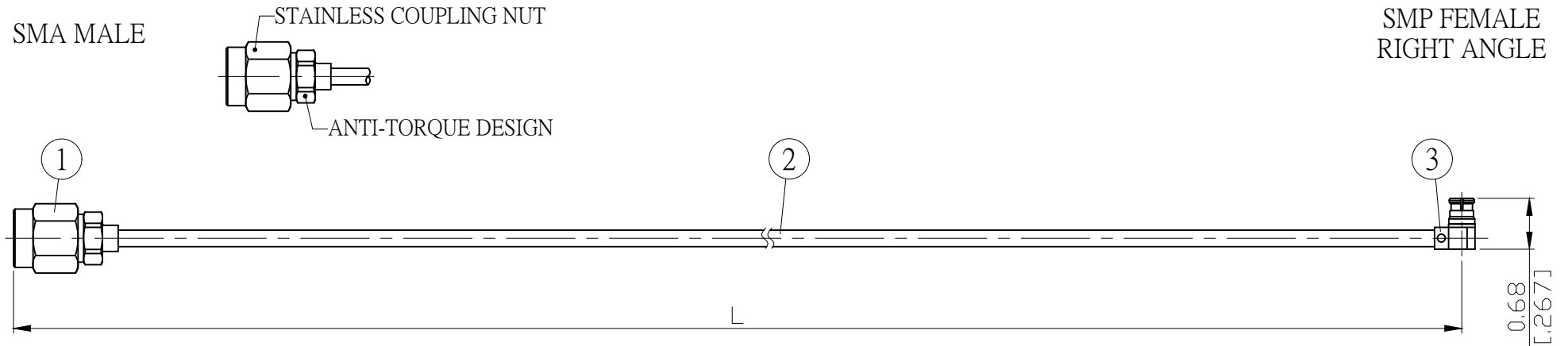


NO.	COMPONENTS	IMPEDANCE
1	SMA MALE	50 OHM
2	.085" TIN PLATED SEMI-RIGID CABLE (TIN PLATED RG405)	50 OHM
3	SMP FEMALE RIGHT ANGLE	50 OHM

REVISION			
REV.	DESCRIPTION	DATE	APPROVED
-	INITIAL RELEASE	2022/03/22	



JYE BAO P/N	Freq. (GHz)	Max. Return Loss	L CM (INCH)	L1 M (MM)
A30P89-85T-18GXXX	18	-16.5dB	50 (19.685)	0.495 (494.5)
			100 (39.370)	0.995 (994.5)
			150 (59.055)	1.495 (1494.5)
			200 (78.740)	1.995 (1994.5)
			CUSTOM LENGTH IN CM	- - -

LENGTH TOLERANCE IS $\pm 1.5\%$ OR $\pm 10\text{MM}$, WHICHEVER IS GREATER.					STANDARD	REV -	UNIT CM(INCH)	JYE BAO CO., LTD. TAIPEI TAIWAN	
					APPROVED				DATE
					CHECKED			DATE	DESCRIPTION CABLE ASSEMBLY SMA PLUG TO SMP JACK R/A
					DRAWING <i>Albert</i>			DATE	JYE BAO DRAWING NO. A30P89-85T-18GXXX
3	SMP8300-9085	SMP JACK R/A	1	EA					
2	.085TIN-W-P-50	CABLE	SEE TABLE L1	M					
1	SMA33AT-0085	SMA PLUG	1	EA					
NO.	PARTS NO.	DESCRIPTION	QTY	U/M					