

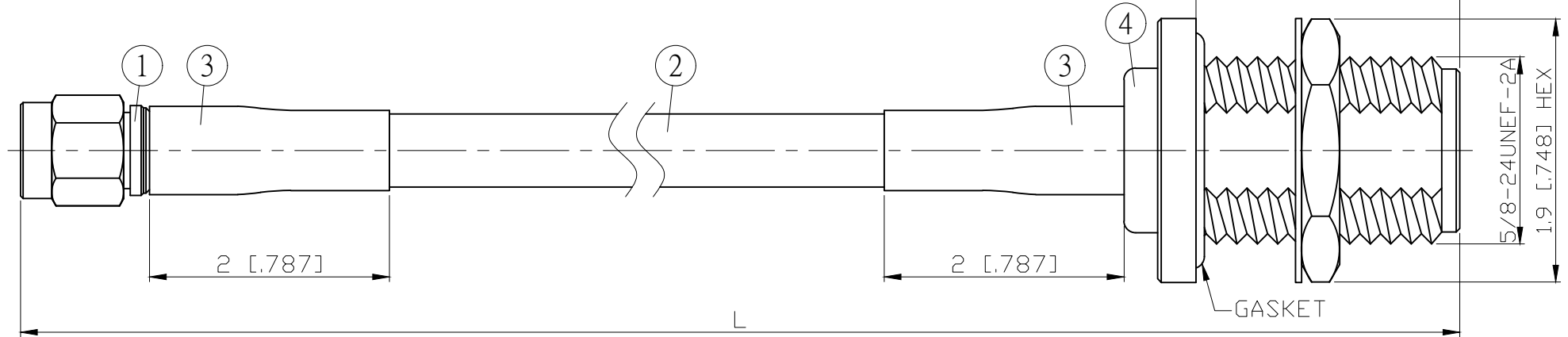
NO.	COMPONENTS	IMPEDANCE
1	SMA MALE	50 OHM
2	JBY240	50 OHM
3	HEAT SHRINKING TUBE	
4	N FEMALE FOR BULKHEAD	50 OHM

REVISION			
REV.	DESCRIPTION	DATE	APPROVED
-	INITIAL RELEASE	2011/03/15	

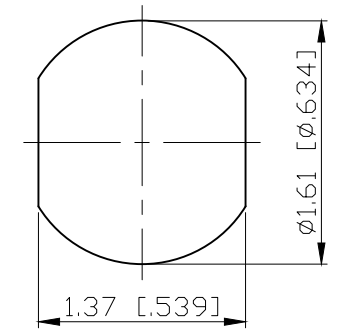
SMA MALE

N FEMALE  
FOR BULKHEAD

IP67 (MATED)



JYE BAO P/N	L CM (INCH)	L1 FT (MM)
A30N85-L240-15	15 (5.906)	0.399 (121.5)
A30N85-L240-30	30 (11.811)	0.891 (271.5)
A30N85-L240-50	50 (19.685)	1.547 (471.5)
A30N85-L240-100	100 (39.370)	3.187 (971.5)
A30N85-L240-150	150 (59.055)	4.828 (1471.5)
A30N85-L240-200	200 (78.740)	6.468 (1971.5)
A30N85-L240-XXX	CUSTOM LENGTH IN CM	- - -



MOUNTING HOLE

4	N8105-L240	N JACK	1	EA
3	G5(F)-8.0MM-BLACK	TUBE	0.04	M
2	JBY240	CABLE	L1 (SEE TABLE)	FT
1	SMA3100-L240	SMA PLUG	1	EA
NO.	PARTS NO.	DESCRIPTION	QTY	U/M

DIMENSION ARE MILLIMETERS  
UNLESS OTHERWISE SPECIFIED  
TOLERANCES ( UNIT: MM )

LENGTH TOLERANCE  
IS ±1.5% OR ±10MM,  
WHICHEVER IS  
GREATER.

STANDARD

REV

-

UNIT

CM(INCH)

**JYE BAO CO., LTD.**

TAIPEI TAIWAN

APPROVED

DATE

CHECKED

DATE

DRAWING

Albert

DATE

DESCRIPTION CABLE ASSEMBLY SMA PLUG  
TO N JACK FOR BULKHEAD

JYE BAO DRAWING NO.

A30N85-L240-XXX