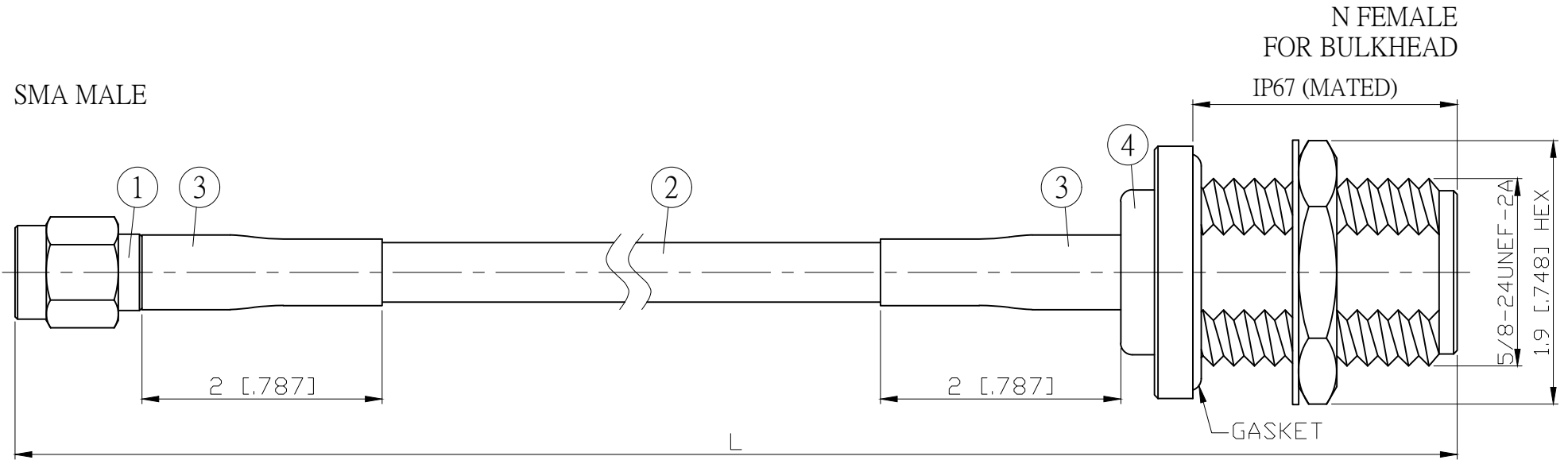
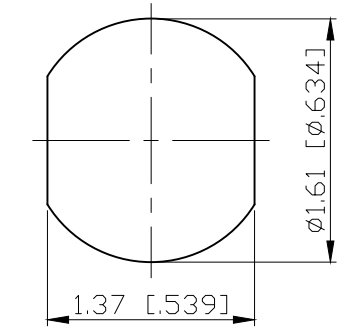


NO.	COMPONENTS	IMPEDANCE
1	SMA MALE	50 OHM
2	JBY195	50 OHM
3	HEAT SHRINKING TUBE	
4	N FEMALE FOR BULKHEAD	50 OHM

REVISION			
REV.	DESCRIPTION	DATE	APPROVED
-	INITIAL RELEASE	2011/03/15	



JYE BAO P/N	L CM (INCH)	L1 FT (MM)
A30N85-L195-15	15 (5.906)	0.410 (125.0)
A30N85-L195-30	30 (11.811)	0.902 (275.0)
A30N85-L195-50	50 (19.685)	1.558 (475.0)
A30N85-L195-100	100 (39.370)	3.199 (975.0)
A30N85-L195-150	150 (59.055)	4.839 (1475.0)
A30N85-L195-200	200 (78.740)	6.480 (1975.0)
A30N85-L195-XXX	CUSTOM LENGTH IN CM	- - -



MOUNTING HOLE

4	N8105-0058	N JACK	1	EA
3	G5(F)-8.0MM-BLACK	TUBE	0.04	M
2	JBY195	CABLE	L1 (SEE TABLE)	FT
1	SMA3100-0058	SMA PLUG	1	EA
NO.	PARTS NO.	DESCRIPTION	QTY	U/M

DIMENSION ARE MILLIMETERS UNLESS OTHERWISE SPECIFIED TOLERANCES (UNIT: MM)		REV	UNIT
STANDARD		-	CM(INCH)
APPROVED			DATE
CHECKED			DATE
DRAWING		Albert	DATE

JYE BAO CO., LTD.	
TAIPEI TAIWAN	
DESCRIPTION	CABLE ASSEMBLY SMA PLUG TO N JACK FOR BULKHEAD
JYE BAO DRAWING NO.	A30N85-L195-XXX