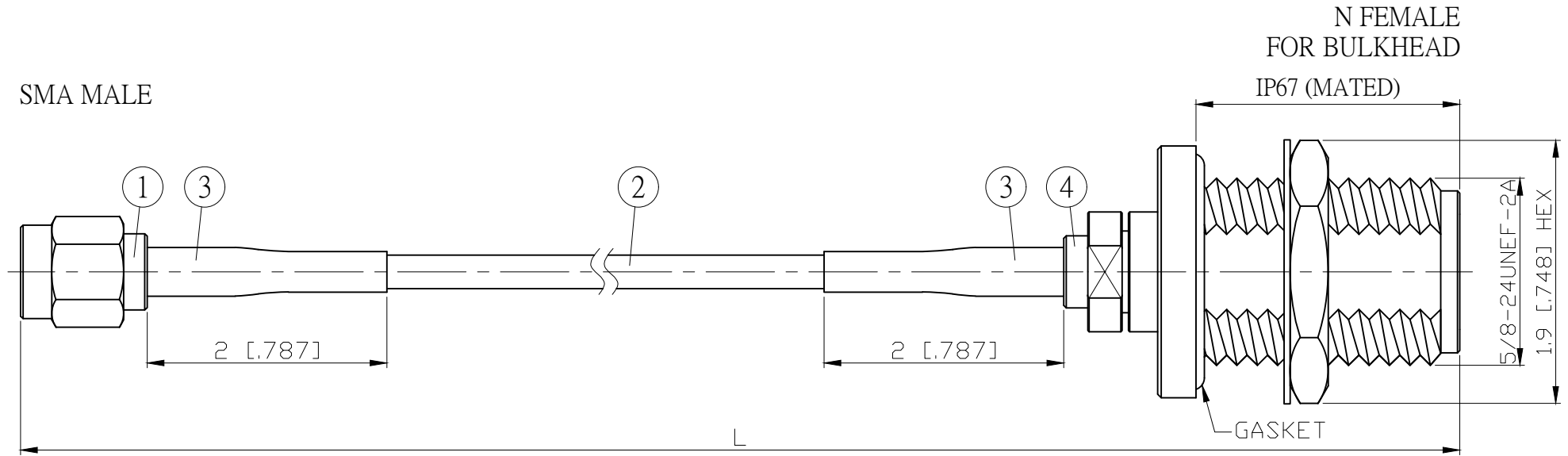
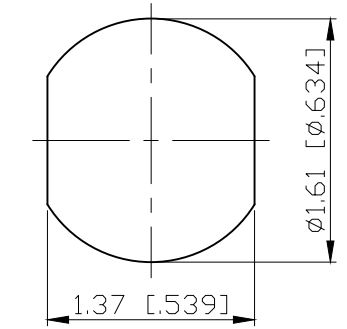


NO.	COMPONENTS	IMPEDANCE
1	SMA MALE	50 OHM
2	JBY100	50 OHM
3	HEAT SHRINKING TUBE	
4	N FEMALE FOR BULKHEAD	50 OHM

REVISION			
REV.	DESCRIPTION	DATE	APPROVED
-	INITIAL RELEASE	2011/03/15	



JYE BAO P/N	L CM (INCH)	L1 FT (MM)
A30N85-L100-15	15 (5.906)	0.417 (127.0)
A30N85-L100-30	30 (11.811)	0.909 (277.0)
A30N85-L100-50	50 (19.685)	1.565 (477.0)
A30N85-L100-100	100 (39.370)	3.205 (977.0)
A30N85-L100-150	150 (59.055)	4.846 (1477.0)
A30N85-L100-200	200 (78.740)	6.486 (1977.0)
A30N85-L100-XXX	CUSTOM LENGTH IN CM	- - -



MOUNTING HOLE

DIMENSION ARE MILLIMETERS UNLESS OTHERWISE SPECIFIED TOLERANCES ( UNIT: MM )					STANDARD	REV -	UNIT CM(INCH)	<b>JYE BAO CO., LTD.</b>	
4	N8105P-L100	N JACK	1	EA	APPROVED			DATE	TAIPEI TAIWAN
3	G5(F)-4.0MM-BLACK	TUBE	0.04	M	CHECKED			DATE	DESCRIPTION CABLE ASSEMBLY SMA PLUG TO N JACK FOR BULKHEAD
2	JBY100	CABLE	L1 (SEE TABLE)	FT	DRAWING			DATE	JYE BAO DRAWING NO.
1	SMA3100-L100	SMA PLUG	1	EA	Albert			DATE	A30N85-L100-XXX
NO.	PARTS NO.	DESCRIPTION	QTY	UM	LENGTH TOLERANCE IS $\pm 1.5\%$ OR $\pm 10$ MM, WHICHEVER IS GREATER.				