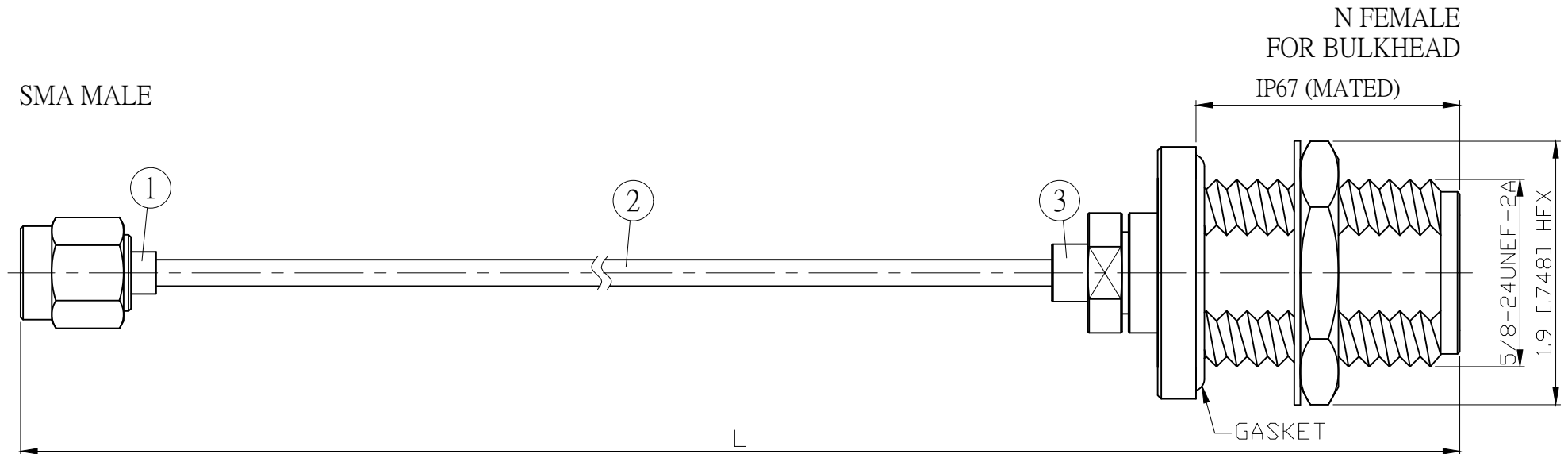
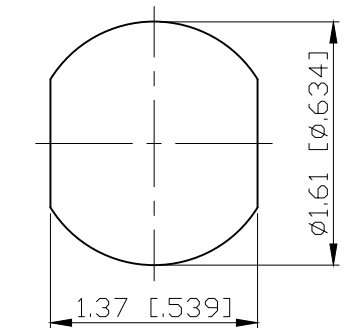


NO.	COMPONENTS	IMPEDANCE
1	SMA MALE	50 OHM
2	.085" TIN PLATED SEMI-RIGID CABLE (TIN PLATED RG405)	50 OHM
3	N FEMALE FOR BULKHEAD	50 OHM

REVISION			
REV.	DESCRIPTION	DATE	APPROVED
-	INITIAL RELEASE	2011/03/15	



JYE BAO P/N	L CM (INCH)	L1 FT (MM)
A30N85-85T-15	15 (5.906)	0.415 (126.5)
A30N85-85T-30	30 (11.811)	0.907 (276.5)
A30N85-85T-50	50 (19.685)	1.563 (476.5)
A30N85-85T-100	100 (39.370)	3.204 (976.5)
A30N85-85T-150	150 (59.055)	4.844 (1476.5)
A30N85-85T-200	200 (78.740)	6.485 (1976.5)
A30N85-85T-XXX	CUSTOM LENGTH IN CM	- - -



MOUNTING HOLE

DIMENSION ARE MILLIMETERS UNLESS OTHERWISE SPECIFIED TOLERANCES ( UNIT: MM )					STANDARD		REV -	UNIT CM(INCH)	<b>JYE BAO CO., LTD.</b>	
LENGTH TOLERANCE IS ±1.5% OR ±10MM, WHICHEVER IS GREATER.					APPROVED		DATE	TAIPEI TAIWAN		
					CHECKED		DATE	DESCRIPTION CABLE ASSEMBLY SMA PLUG TO N JACK FOR BULKHEAD		
					DRAWING Albert		DATE	JYE BAO DRAWING NO. A30N85-85T-XXX		
NO.	PARTS NO.	DESCRIPTION	QTY	U/M						