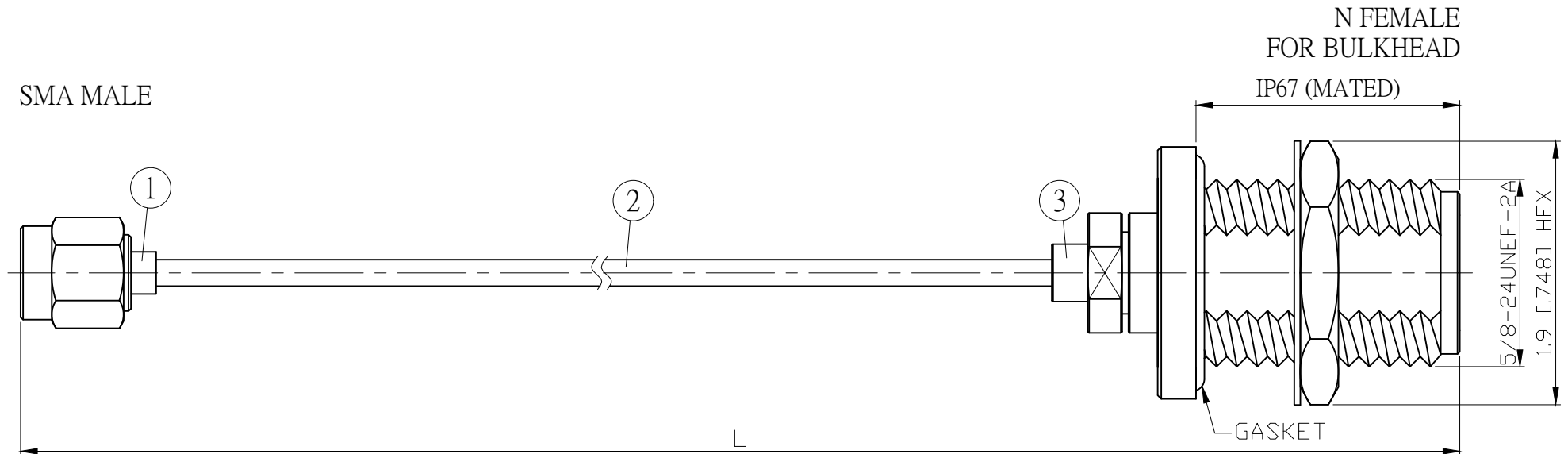
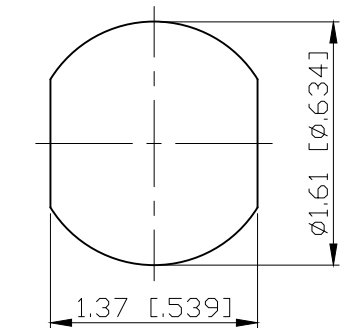


| NO. | COMPONENTS  | IMPEDANCE |
|-----|---|-----------|
| 1   | SMA MALE  | 50 OHM    |
| 2   | .085" HANDBENDABLE CABLE<br>(= JYEBAO P/N .085SRF-W-P-50) | 50 OHM    |
| 3   | N FEMALE FOR BULKHEAD                                     | 50 OHM    |

| REVISION |                 |            |          |
|----------|-----------------|------------|----------|
| REV.     | DESCRIPTION     | DATE       | APPROVED |
| -        | INITIAL RELEASE | 2011/03/15 |          |



| JYE BAO P/N    | L<br>CM (INCH)         | L1<br>FT (MM)  |
|----------------|------------------------|----------------|
| A30N85-85S-15  | 15 (5.906)             | 0.415 (126.5)  |
| A30N85-85S-30  | 30 (11.811)            | 0.907 (276.5)  |
| A30N85-85S-50  | 50 (19.685)            | 1.563 (476.5)  |
| A30N85-85S-100 | 100 (39.370)           | 3.204 (976.5)  |
| A30N85-85S-150 | 150 (59.055)           | 4.844 (1476.5) |
| A30N85-85S-200 | 200 (78.740)           | 6.485 (1976.5) |
| A30N85-85S-XXX | CUSTOM<br>LENGTH IN CM | - - -          |



MOUNTING HOLE

| DIMENSION ARE MILLIMETERS<br>UNLESS OTHERWISE SPECIFIED<br>TOLERANCES ( UNIT: MM ) |                |             |                |     | STANDARD |  | REV | UNIT     | <b>JYE BAO CO., LTD.</b>                          |  |
|--|----------------|-------------|----------------|-----|----------|--|-----|----------|---|--|
| LENGTH TOLERANCE<br>IS ±1.5% OR ±10MM,<br>WHICHEVER IS<br>GREATER.                 |                |             |                |     | APPROVED |  | -   | CM(INCH) | TAIPEI TAIWAN                                     |  |
|  |                |             |                |     | DATE     |  |     |          | DESCRIPTION                                       |  |
|  |                |             |                |     | CHECKED  |  |     |          | CABLE ASSEMBLY SMA PLUG<br>TO N JACK FOR BULKHEAD |  |
|  |                |             |                |     | DRAWING  |  |     |          | JYE BAO DRAWING NO.                               |  |
|  |                |             |                |     | Albert   |  |     |          | A30N85-85S-XXX                                    |  |
|  |                |             |                |     | DATE     |  |     |          |   |  |
| 3  | N8305P-0085    | N JACK      | 1              | EA  |          |  |     |          |   |  |
| 2  | .085SRF-W-P-50 | CABLE       | L1 (SEE TABLE) | FT  |          |  |     |          |   |  |
| 1  | SMA3300-0085   | SMA PLUG    | 1              | EA  |          |  |     |          |   |  |
| NO.  | PARTS NO.      | DESCRIPTION | QTY            | U/M |          |  |     |          |   |  |