

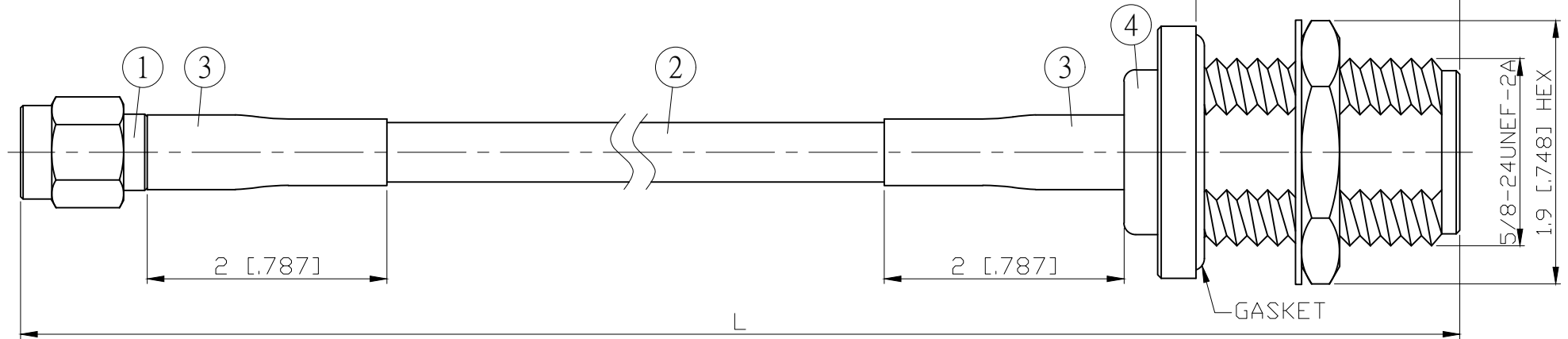
NO.	COMPONENTS	IMPEDANCE
1	SMA MALE	50 OHM
2	RG58	50 OHM
3	HEAT SHRINKING TUBE	
4	N FEMALE FOR BULKHEAD	50 OHM

REVISION			
REV.	DESCRIPTION	DATE	APPROVED
-	INITIAL RELEASE	2011/03/15	

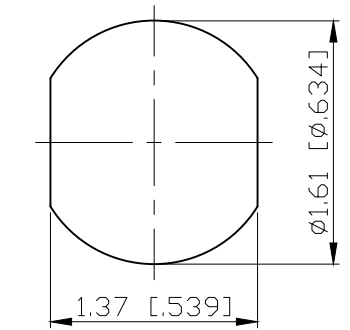
SMA MALE

N FEMALE
FOR BULKHEAD

IP67 (MATED)



JYE BAO P/N	L CM (INCH)	L1 FT (MM)
A30N85-58-15	15 (5.906)	0.410 (125.0)
A30N85-58-30	30 (11.811)	0.902 (275.0)
A30N85-58-50	50 (19.685)	1.558 (475.0)
A30N85-58-100	100 (39.370)	3.199 (975.0)
A30N85-58-150	150 (59.055)	4.839 (1475.0)
A30N85-58-200	200 (78.740)	6.480 (1975.0)
A30N85-58-XXX	CUSTOM LENGTH IN CM	- - -



MOUNTING HOLE

4	N8105-0058	N JACK	1	EA
3	G5(F)-8.0MM-BLACK	TUBE	0.04	M
2	RG58	CABLE	L1 (SEE TABLE)	FT
1	SMA3100-0058	SMA PLUG	1	EA
NO.	PARTS NO.	DESCRIPTION	QTY	U/M

DIMENSION ARE MILLIMETERS
UNLESS OTHERWISE SPECIFIED
TOLERANCES (UNIT: MM)

LENGTH TOLERANCE
IS ±1.5% OR ±10MM,
WHICHEVER IS
GREATER.

STANDARD	REV	UNIT CM(INCH)
	-	
APPROVED		DATE
CHECKED		DATE
DRAWING	Albert	DATE

JYE BAO CO., LTD.

TAIPEI TAIWAN

DESCRIPTION CABLE ASSEMBLY SMA PLUG
TO N JACK FOR BULKHEAD

JYE BAO DRAWING NO.

A30N85-58-XXX