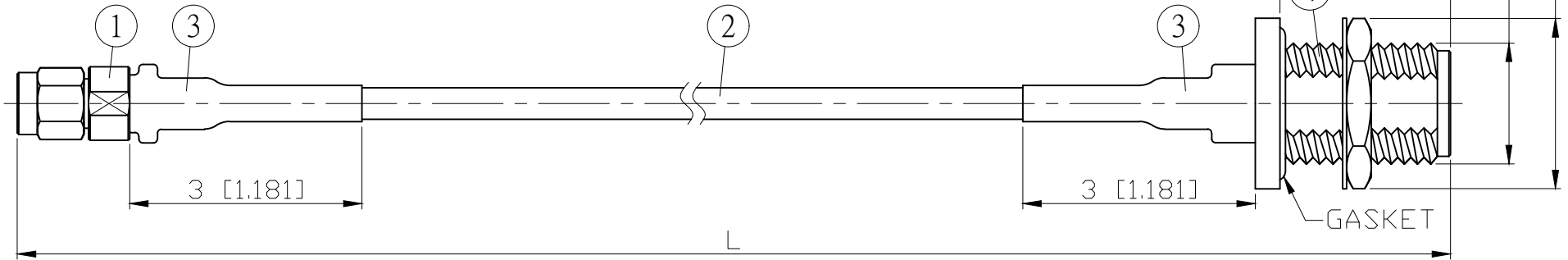


NO.	COMPONENTS	IMPEDANCE
1	SMA MALE	50 OHM
2	5004	50 OHM
3	HEAT SHRINKING TUBE	
4	N FEMALE FOR BULKHEAD	50 OHM

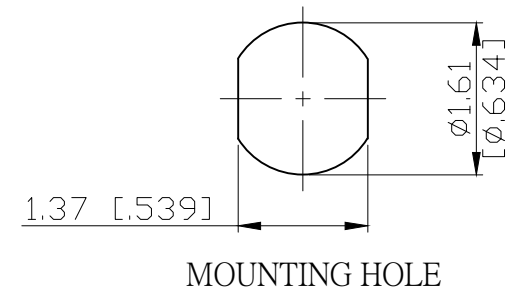
REVISION			
REV.	DESCRIPTION	DATE	APPROVED
-	INITIAL RELEASE	2013/08/23	
A	增加接頭介面圖、註記	2014/01/13	

## TEST LEAD WITH EXTRA STURDY CABLE / CONNECTOR CONNECTION.

SMA MALE



JYE BAO P/N	Freq. (GHz)	Max. Return Loss	L CM (INCH)	L1 FT (MM)
A30N85-5004-18GXXX	18	-18dB	50 (19.685)	1.558 (475.0)
			100 (39.370)	3.199 (975.0)
			150 (59.055)	4.839 (1475.0)
			200 (78.740)	6.480 (1975.0)
			CUSTOM LENGTH IN CM	CUSTOM LENGTH IN CM



					STANDARD	REV A	UNIT CM(INCH)	<b>JYE BAO CO., LTD.</b>	
					APPROVED			TAIPEI TAIWAN	
					CHECKED		DATE	DESCRIPTION CABLE ASSEMBLY SMA PLUG TO N FEMALE FOR BULKHEAD	
					DRAWING	Albert	DATE	JYE BAO DRAWING NO. A30N85-5004-18GXXX	
4	N8205S-L160	N JACK	1	EA	LENGTH TOLERANCE IS ±1.5% OR ±10MM, WHICHEVER IS GREATER.				
3	G5(F)-10MM-BLACK	TUBE	0.06	M					
2	5004	CABLE	L1 (SEE TABLE)	FT					
1	SMA32NP-L160	SMA PLUG	1	EA					
NO.	PARTS NO.	DESCRIPTION	QTY	U/M					