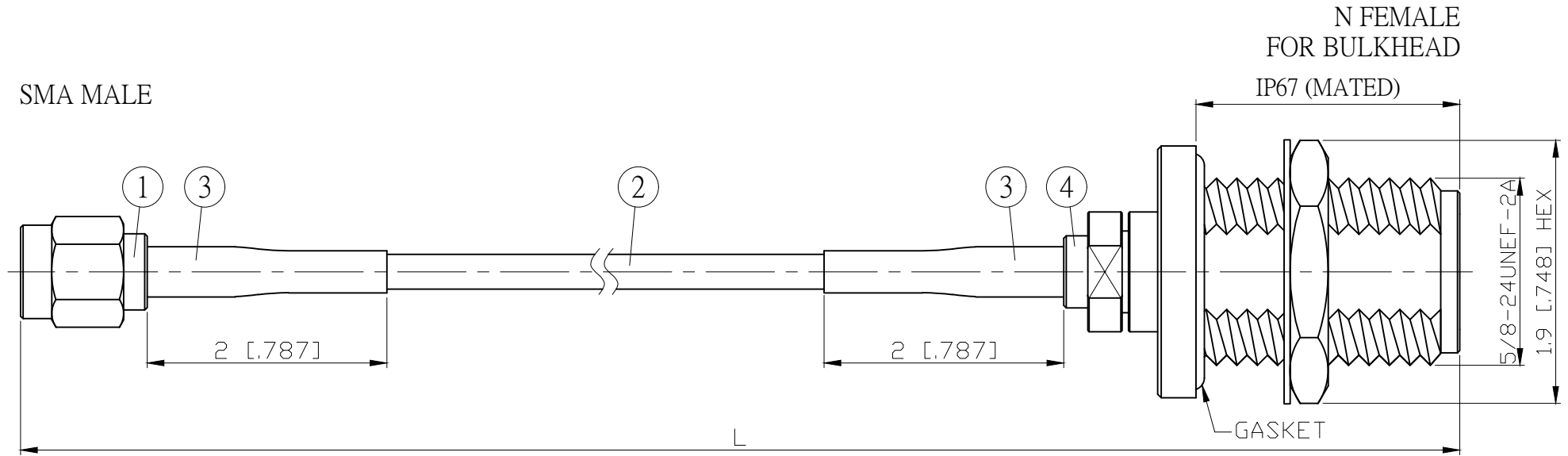
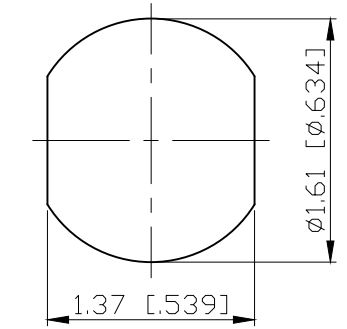


NO.	COMPONENTS	IMPEDANCE
1	SMA MALE	50 OHM
2	DOUBLE SHIELDED RG316(= RD316)	50 OHM
3	HEAT SHRINKING TUBE	
4	N FEMALE FOR BULKHEAD	50 OHM

REVISION			
REV.	DESCRIPTION	DATE	APPROVED
-	INITIAL RELEASE	2011/03/15	



JYE BAO P/N	L CM (INCH)	L1 FT (MM)
A30N85-316D-15	15 (5.906)	0.417 (127.0)
A30N85-316D-30	30 (11.811)	0.909 (277.0)
A30N85-316D-50	50 (19.685)	1.565 (477.0)
A30N85-316D-100	100 (39.370)	3.205 (977.0)
A30N85-316D-150	150 (59.055)	4.846 (1477.0)
A30N85-316D-200	200 (78.740)	6.486 (1977.0)
A30N85-316D-XXX	CUSTOM LENGTH IN CM	- - -



MOUNTING HOLE

DIMENSION ARE MILLIMETERS UNLESS OTHERWISE SPECIFIED TOLERANCES (UNIT: MM)					STANDARD		REV	UNIT	JYE BAO CO., LTD.	
LENGTH TOLERANCE IS ±1.5% OR ±10MM, WHICHEVER IS GREATER.					APPROVED		-	CM(INCH)	TAIPEI TAIWAN	
NO.	PARTS NO.	DESCRIPTION	QTY	U/M	CHECKED		DATE	DESCRIPTION		
4	N8105PD-0316	N JACK	1	EA	DRAWING		DATE	CABLE ASSEMBLY SMA PLUG TO N JACK FOR BULKHEAD		
3	G5(F)-4.0MM-BLACK	TUBE	0.04	M	Albert		DATE	JYE BAO DRAWING NO.		
2	RD316	CABLE	L1 (SEE TABLE)	FT				A30N85-316D-XXX		
1	SMA3100D-0316	SMA PLUG	1	EA						