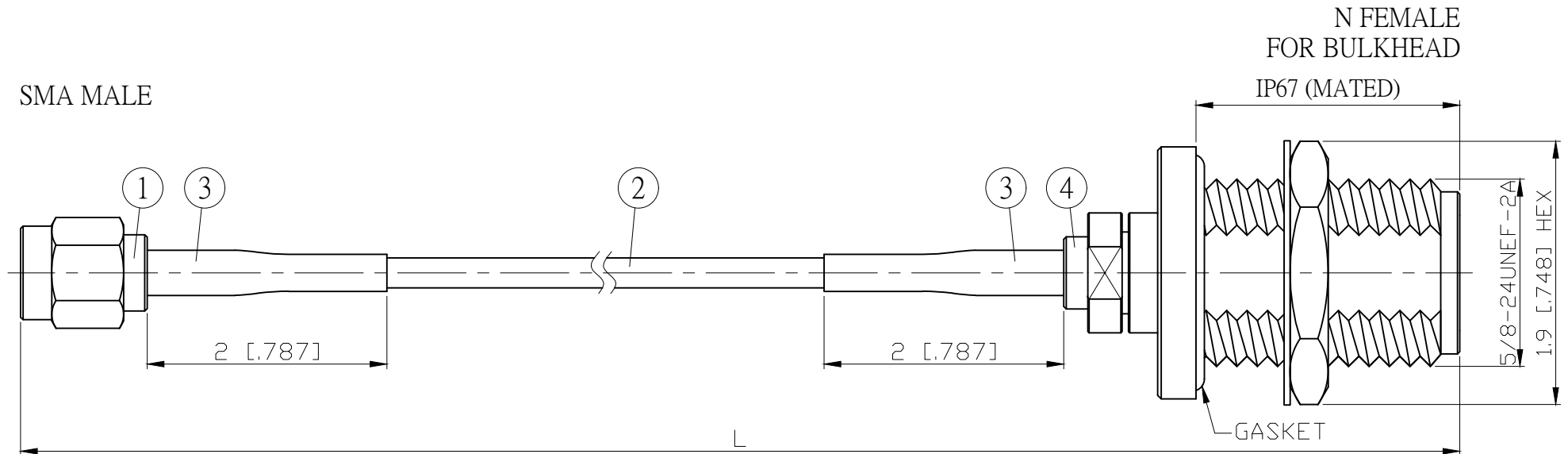
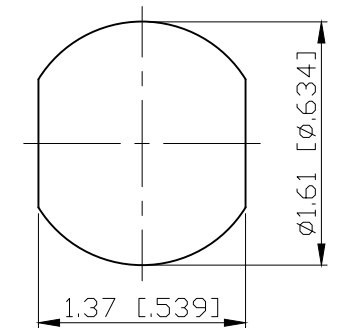


NO.	COMPONENTS	IMPEDANCE
1	SMA MALE	50 OHM
2	RG316	50 OHM
3	HEAT SHRINKING TUBE	
4	N FEMALE FOR BULKHEAD	50 OHM

REVISION			
REV.	DESCRIPTION	DATE	APPROVED
-	INITIAL RELEASE	2011/03/15	
A	ADD NOTE	2015/03/11	



JYE BAO P/N	L CM (INCH)	L1 FT (MM)
A30N85-316-15	15 (5.906)	0.417 (127.0)
A30N85-316-30	30 (11.811)	0.909 (277.0)
A30N85-316-50	50 (19.685)	1.565 (477.0)
A30N85-316-100	100 (39.370)	3.205 (977.0)
A30N85-316-150	150 (59.055)	4.846 (1477.0)
A30N85-316-200	200 (78.740)	6.486 (1977.0)
A30N85-316-XXX	CUSTOM LENGTH IN CM	- - -



MOUNTING HOLE

NOTE:  
V.S.W.R.: 1.35:1 UP TO 6GHz

NO.	PARTS NO.	DESCRIPTION	QTY	U/M
4	N8105P-0316	N JACK	1	EA
3	G5(F)-4.0MM-BLACK	TUBE	0.04	M
2	RG316	CABLE	L1 (SEE TABLE)	FT
1	SMA3100-0316	SMA PLUG	1	EA

DIMENSION ARE MILLIMETERS UNLESS OTHERWISE SPECIFIED TOLERANCES ( UNIT: MM )		STANDARD	REV A	UNIT CM(INCH)	<b>JYE BAO CO., LTD.</b> TAIPEI TAIWAN
LENGTH TOLERANCE IS $\pm 1.5\%$ OR $\pm 10$ MM, WHICHEVER IS GREATER.		APPROVED		DATE	
		CHECKED		DATE	
		DRAWING Albert		DATE	
		DESCRIPTION		CABLE ASSEMBLY SMA PLUG TO N JACK FOR BULKHEAD	
		DRAWING NO.		JYE BAO DRAWING NO. A30N85-316-XXX	