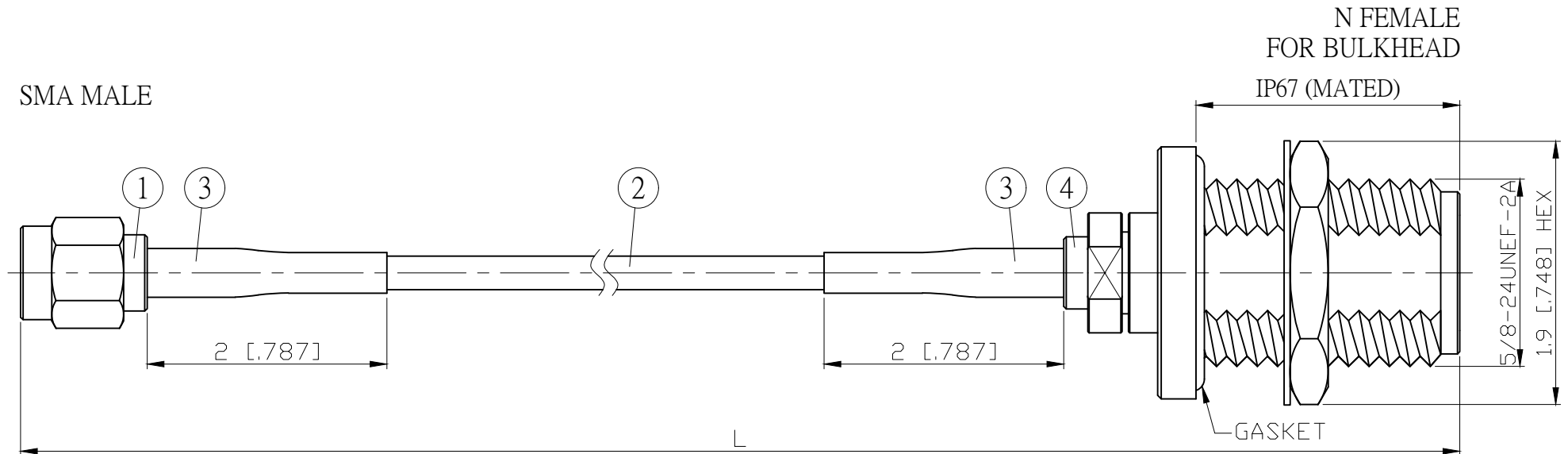
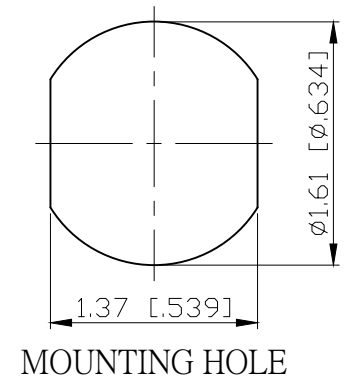


NO.	COMPONENTS	IMPEDANCE
1	SMA MALE	50 OHM
2	RG174	50 OHM
3	HEAT SHRINKING TUBE	
4	N FEMALE FOR BULKHEAD	50 OHM

REVISION			
REV.	DESCRIPTION	DATE	APPROVED
-	INITIAL RELEASE	2011/03/15	



JYE BAO P/N	L CM (INCH)	L1 FT (MM)
A30N85-174-15	15 (5.906)	0.417 (127.0)
A30N85-174-30	30 (11.811)	0.909 (277.0)
A30N85-174-50	50 (19.685)	1.565 (477.0)
A30N85-174-100	100 (39.370)	3.205 (977.0)
A30N85-174-150	150 (59.055)	4.846 (1477.0)
A30N85-174-200	200 (78.740)	6.486 (1977.0)
A30N85-174-XXX	CUSTOM LENGTH IN CM	- - -



				DIMENSION ARE MILLIMETERS UNLESS OTHERWISE SPECIFIED TOLERANCES (UNIT: MM)		STANDARD		REV -	UNIT CM(INCH)	JYE BAO CO., LTD.	
4	N8105P-0316	N JACK	1	EA	LENGTH TOLERANCE IS ±1.5% OR ±10MM, WHICHEVER IS GREATER.	APPROVED	DATE			TAIPEI TAIWAN	
3	G5(F)-4.0MM-BLACK	TUBE	0.04	M		CHECKED	DATE			DESCRIPTION CABLE ASSEMBLY SMA PLUG TO N JACK FOR BULKHEAD	
2	RG174	CABLE	L1 (SEE TABLE)	FT		DRAWING	DATE			JYE BAO DRAWING NO.	
1	SMA3100-0316	SMA PLUG	1	EA		Albert	DATE			A30N85-174-XXX	
NO.	PARTS NO.	DESCRIPTION	QTY	UM							