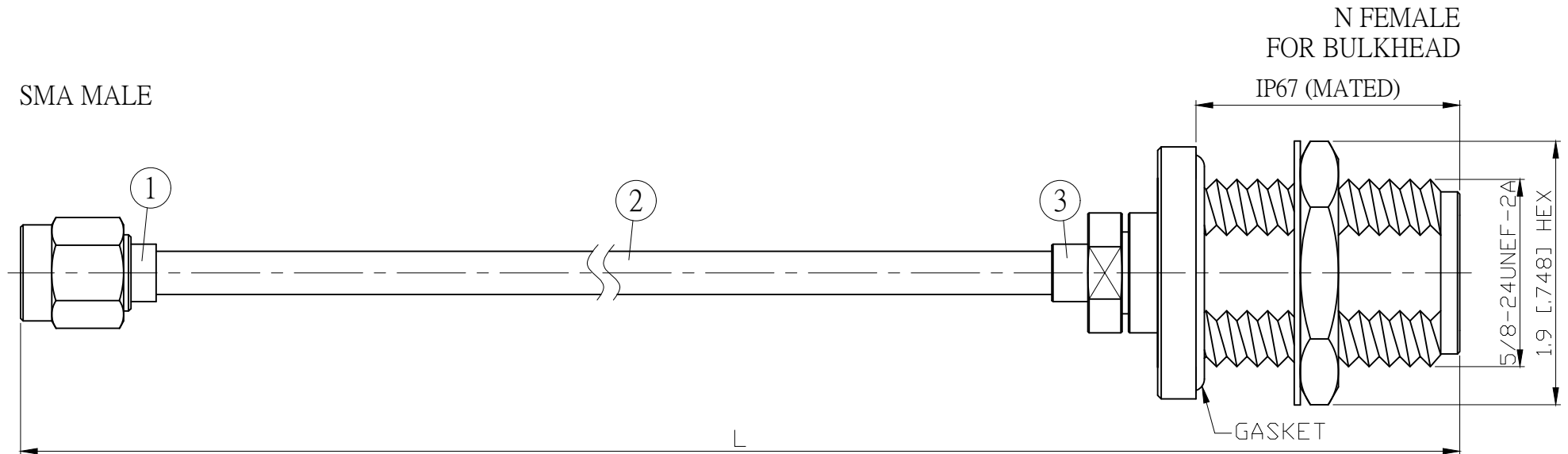
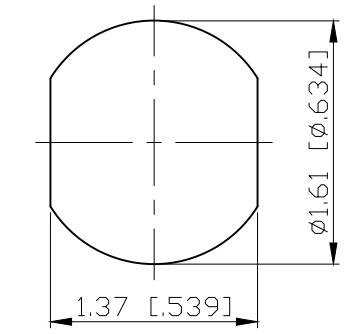


NO.	COMPONENTS	IMPEDANCE
1	SMA MALE	50 OHM
2	.141" HANDBENDABLE CABLE (= JYEBAO P/N .141SRF-W-P-50)	50 OHM
3	N FEMALE FOR BULKHEAD	50 OHM

REVISION			
REV.	DESCRIPTION	DATE	APPROVED
-	INITIAL RELEASE	2011/03/15	



JYE BAO P/N	L CM (INCH)	L1 FT (MM)
A30N85-141S-15	15 (5.906)	0.413 (126.0)
A30N85-141S-30	30 (11.811)	0.906 (276.0)
A30N85-141S-50	50 (19.685)	1.562 (476.0)
A30N85-141S-100	100 (39.370)	3.202 (976.0)
A30N85-141S-150	150 (59.055)	4.843 (1476.0)
A30N85-141S-200	200 (78.740)	6.483 (1976.0)
A30N85-141S-XXX	CUSTOM LENGTH IN CM	- - -



MOUNTING HOLE

DIMENSION ARE MILLIMETERS UNLESS OTHERWISE SPECIFIED TOLERANCES ( UNIT: MM )				STANDARD	REV -	UNIT CM(INCH)	<b>JYE BAO CO., LTD.</b> TAIPEI TAIWAN
APPROVED				DATE			
CHECKED				DATE			
DRAWING Albert				DATE			DESCRIPTION CABLE ASSEMBLY SMA PLUG TO N JACK FOR BULKHEAD
LENGTH TOLERANCE IS ±1.5% OR ±10MM, WHICHEVER IS GREATER.				DATE			JYE BAO DRAWING NO. A30N85-141S-XXX
3	N8305P-0141	N JACK	1	EA			
2	.141SRF-W-P-50	CABLE	L1 (SEE TABLE)	FT			
1	SMA3300-0141	SMA PLUG	1	EA			
NO.	PARTS NO.	DESCRIPTION	QTY	UM			