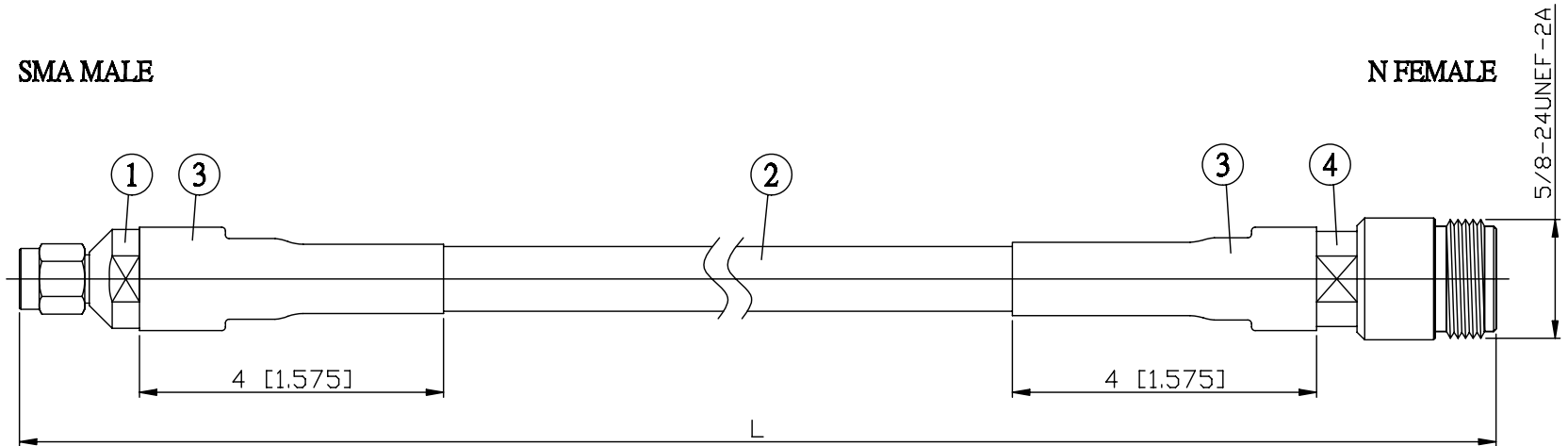


NO.	COMPONENTS	IMPEDANCE
1	SMA MALE	50 OHM
2	5006	50 OHM
3	HEAT SHRINKING TUBE	
4	N FEMALE	50 OHM

**TEST LEAD WITH EXTRA STURDY
CABLE / CONNECTOR CONNECTION.**

SMA MALE

N FEMALE



JYE BAO P/N	Freq. (GHz)	Max. Return Loss	L CM (INCH)
A30N80-5006-18G50	18	-18dB	50 (19.685)
A30N80-5006-18G100			100 (39.370)
A30N80-5006-18G150			150 (59.055)
A30N80-5006-18G200			200 (78.740)
A30N80-5006-18GXXX			CUSTOM LENGTH IN CM

LENGTH TOLERANCE IS $\pm 1.5\%$ OR $\pm 10\text{MM}$, WHICHEVER IS GREATER.	JYE BAO CO., LTD. TAIPEI TAIWAN
	DESCRIPTION CABLE ASSEMBLY SMA PLUG TO N JACK
	JYE BAO DRAWING NO. A30N80-5006-18GXXX