

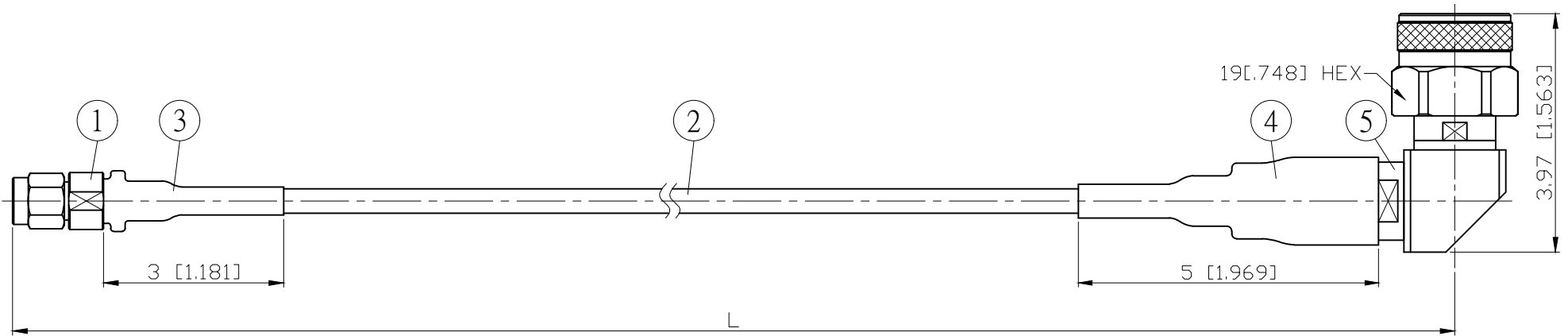
NO.	COMPONENTS	IMPEDANCE
1	SMA MALE	50 OHM
2	5004	50 OHM
3	HEAT SHRINKING TUBE	
4	ADHESIVE HEAT SHRINKING TUBE	
5	N MALE RIGHT ANGLE	50 OHM

REVISION			
REV.	DESCRIPTION	DATE	APPROVED
-	INITIAL RELEASE	2020/07/01	

TEST LEAD WITH EXTRA STURDY CABLE / CONNECTOR CONNECTION.

SMA MALE

N MALE
RIGHT ANGLE



JYE BAO P/N	Freq. (GHz)	Max. Return Loss	L CM (INCH)	L1 M (MM)
A30N39-5004-18GXXX	18	-16.5dB	50 (19.685)	0.470 (470.0)
			100 (39.370)	0.970 (970.0)
			150 (59.055)	1.470 (1470.0)
			200 (78.740)	1.970 (1970.0)
			CUSTOM LENGTH IN CM	---

					STANDARD	REV -	UNIT CM(INCH)	JYE BAO CO., LTD.	
5	N32SHS-M5004	N PLUG R/A	1	EA	LENGTH TOLERANCE IS ±1.5% OR ±10MM, WHICHEVER IS GREATER.	APPROVED		DATE	TAIPEI TAIWAN
4	AIS-15MM-BLACK	TUBE	0.05	M		CHECKED		DATE	
3	G5(F)-10MM-BLACK	TUBE	0.03	M				DATE	CABLE ASSEMBLY SMA PLUG TO N PLUG R/A
2	5004	CABLE	SEE TABLE L1	M				DATE	JYE BAO DRAWING NO.
1	SMA32NP-L160	SMA PLUG	1	EA		DRAWING	<i>Albert</i>	DATE	A30N39-5004-18GXXX
NO.	PARTS NO.	DESCRIPTION	Q'TY	U/M					