

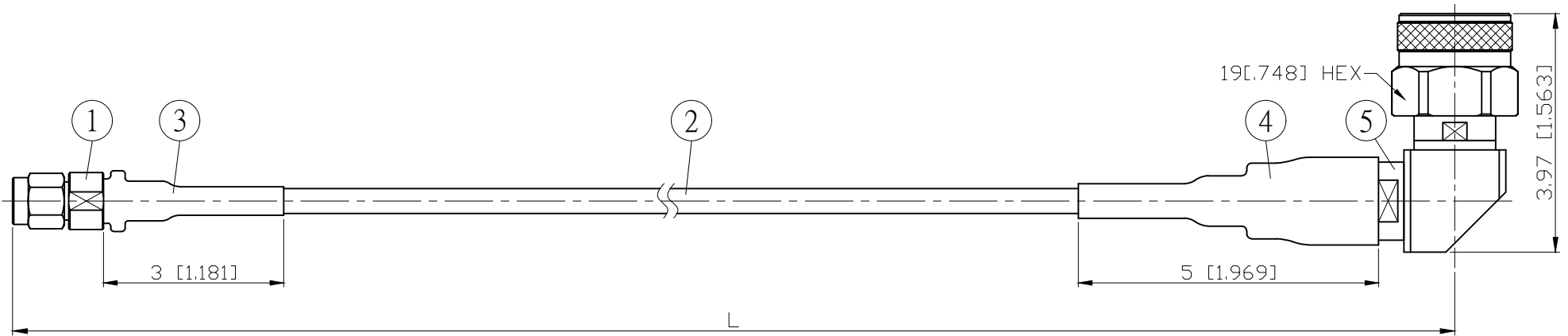
NO.	COMPONENTS	IMPEDANCE
1	SMA MALE	50 OHM
2	5003	50 OHM
3	HEAT SHRINKING TUBE	
4	ADHESIVE HEAT SHRINKING TUBE	
5	N MALE RIGHT ANGLE	50 OHM

REVISION			
REV.	DESCRIPTION	DATE	APPROVED
-	INITIAL RELEASE	2020/07/01	

TEST LEAD WITH EXTRA STURDY CABLE / CONNECTOR CONNECTION.

SMA MALE

N MALE
RIGHT ANGLE



JYE BAO P/N	Freq. (GHz)	Max. Return Loss	L CM (INCH)	L1 M (MM)
A30N39-5003-18GXXX	18	-18dB	50 (19.685)	0.470 (470.0)
			100 (39.370)	0.970 (970.0)
			150 (59.055)	1.470 (1470.0)
			200 (78.740)	1.970 (1970.0)
			CUSTOM LENGTH IN CM	---

NO.	PARTS NO.	DESCRIPTION	Q'TY	U/M	LENGTH TOLERANCE IS $\pm 1.5\%$ OR $\pm 10\text{MM}$, WHICHEVER IS GREATER.	STANDARD	REV	UNIT	JYE BAO CO., LTD. TAIPEI TAIWAN DESCRIPTION CABLE ASSEMBLY SMA PLUG TO N PLUG R/A JYE BAO DRAWING NO. A30N39-5003-18GXXX		
5	N32SHS-M5003	N PLUG R/A	1	EA		APPROVED	-	CM(INCH)			DATE
4	AIS-15MM-BLACK	TUBE	0.05	M		CHECKED					DATE
3	G5(F)-10MM-BLACK	TUBE	0.03	M		DRAWING					DATE
2	5003	CABLE	SEE TABLE L1	M							DATE
1	SMA32NP-S402	SMA PLUG	1	EA							
						<i>Albert</i>					