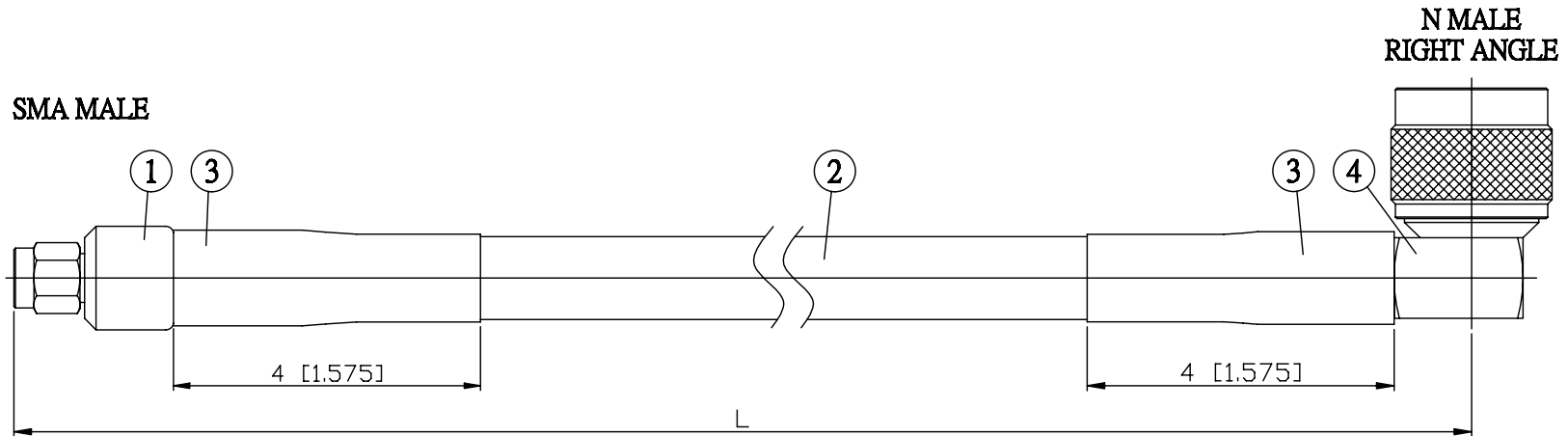


| NO. | COMPONENTS          | IMPEDANCE |
|-----|---------------------|-----------|
| 1   | SMA MALE            | 50 OHM    |
| 2   | RG214               | 50 OHM    |
| 3   | HEAT SHRINKING TUBE |           |
| 4   | N MALE RIGHT ANGLE  | 50 OHM    |



| JYE BAO P/N    | L<br>CM (INCH)         |
|----------------|------------------------|
| A30N39-214-15  | 15 (5.906)             |
| A30N39-214-30  | 30 (11.811)            |
| A30N39-214-50  | 50 (19.685)            |
| A30N39-214-100 | 100 (39.370)           |
| A30N39-214-150 | 150 (59.055)           |
| A30N39-214-200 | 200 (78.740)           |
| A30N39-214-XXX | CUSTOM<br>LENGTH IN CM |

|  |  |
|--|--|
| <b>LENGTH TOLERANCE<br/>IS ±1.5% OR ±10MM,<br/>WHICHEVER IS<br/>GREATER.</b> | <b>JYE BAO CO., LTD.</b><br>TAIPEI TAIWAN                                  |
|  | <small>DESCRIPTION</small><br><b>CABLE ASSEMBLY SMA PLUG TO N PLUG R/A</b> |
|  | <small>JYE BAO DRAWING NO.</small><br><b>A30N39-214-XXX</b>                |