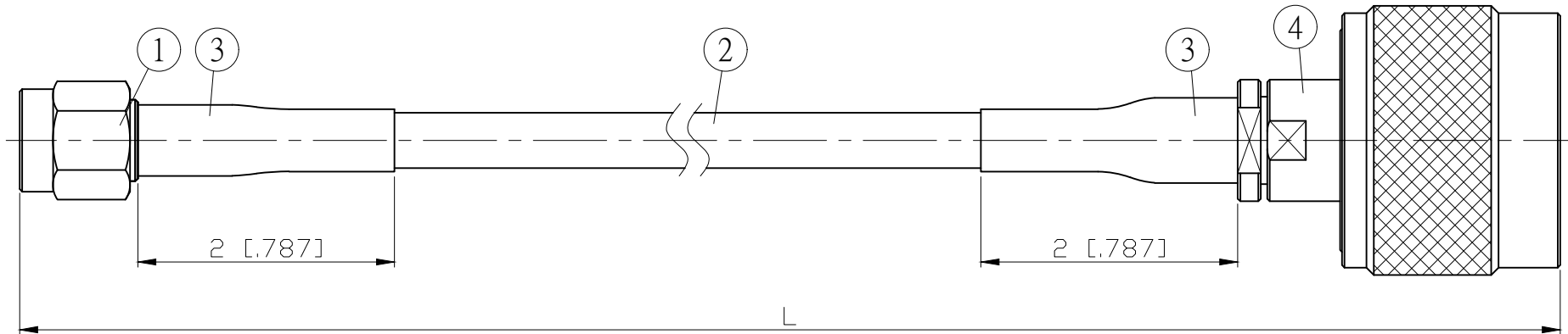


NO.	COMPONENTS	IMPEDANCE
1	SMA MALE	50 OHM
2	.141" HANDBENDABLE CABLE WITH FEP JACKET (=JYEBAO P/N .141SRF-W-P-50-F)	50 OHM
3	HEAT SHRINKING TUBE	
4	N MALE	50 OHM

REVISION			
REV.	DESCRIPTON	DATE	APPROVED
-	INITIAL RELEASE	2013/03/25	

SMA MALE

N MALE



JYE BAO P/N	L CM (INCH)
A30N30-141F-15	15 (5.906)
A30N30-141F-30	30 (11.811)
A30N30-141F-50	50 (19.685)
A30N30-141F-100	100 (39.370)
A30N30-141F-150	150 (59.055)
A30N30-141F-200	200 (78.740)
A30N30-141F-XXX	CUSTOM LENGTH IN CM

LENGTH TOLERANCE IS $\pm 1.5\%$ OR $\pm 10\text{MM}$ , WHICHEVER IS GREATER.	STANDARD	REV -	UNIT CM(INCH)	<b>JYE BAO CO., LTD.</b> TAIPEI TAIWAN
	APPROVED		DATE	
	CHECKED		DATE	DESCRIPTION CABLE ASSEMBLY SMA PLUG TO N PLUG
	DRAWING Albert		DATE	JYE BAO DRAWING NO. A30N30-141F-XXX