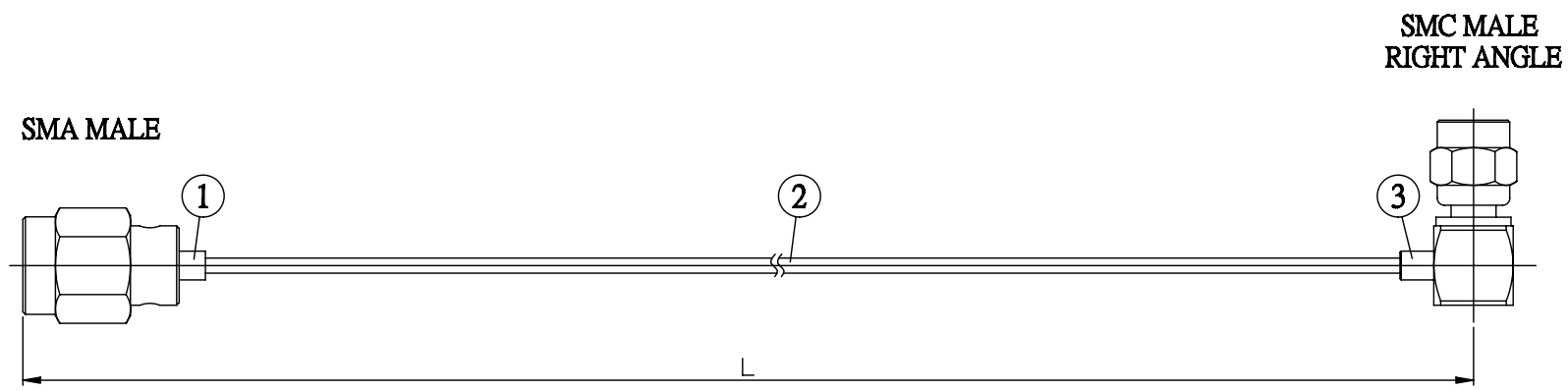


NO.	COMPONENTS	IMPEDANCE
1	SMA MALE	50 OHM
2	.047" TIN PLATED SEMI-RIGID CABLE	50 OHM
3	SMC MALE RIGHT ANGLE	50 OHM



JYE BAO P/N	L CM (INCH)
A30MC39-47T-15	15 (5.906)
A30MC39-47T-30	30 (11.811)
A30MC39-47T-50	50 (19.685)
A30MC39-47T-100	100 (39.370)
A30MC39-47T-150	150 (59.055)
A30MC39-47T-200	200 (78.740)
A30MC39-47T-XXX	CUSTOM LENGTH IN CM

<b>LENGTH TOLERANCE IS ±1.5% OR ±10MM, WHICHEVER IS GREATER.</b>	<b>JYE BAO CO., LTD.</b> TAIPEI TAIWAN
	<small>DESCRIPTION</small> CABLE ASSEMBLY SMA PLUG TO SMC PLUG R/A
	<small>JYE BAO DRAWING NO.</small> A30MC39-47T-XXX