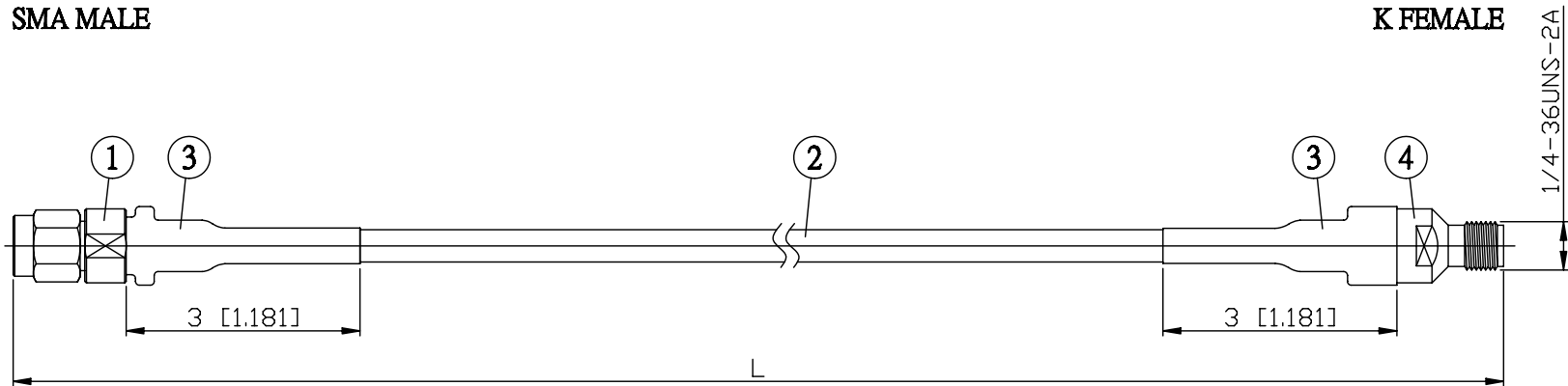


NO.	COMPONENTS	IMPEDANCE
1	SMA MALE	50 OHM
2	5003	50 OHM
3	HEAT SHRINKING TUBE	
4	K FEMALE	50 OHM

**TEST LEAD WITH EXTRA STURDY
CABLE / CONNECTOR CONNECTION.**

SMA MALE

K FEMALE



JYE BAO P/N	Freq. (GHz)	Max. Return Loss	L CM (INCH)
A30K80-5003-18G50	18	-20dB	50 (19.685)
A30K80-5003-18G100			100 (39.370)
A30K80-5003-18G150			150 (59.055)
A30K80-5003-18G200			200 (78.740)
A30K80-5003-18GXXX			CUSTOM LENGTH IN CM

<p>LENGTH TOLERANCE IS $\pm 1.5\%$ OR $\pm 10\text{MM}$, WHICHEVER IS GREATER.</p>	<p>JYE BAO CO., LTD. TAIPEI TAIWAN</p>
	<p>DESCRIPTION CABLE ASSEMBLY SMA PLUG TO K JACK</p>
	<p>JYE BAO DRAWING NO. A30K80-5003-18GXXX</p>