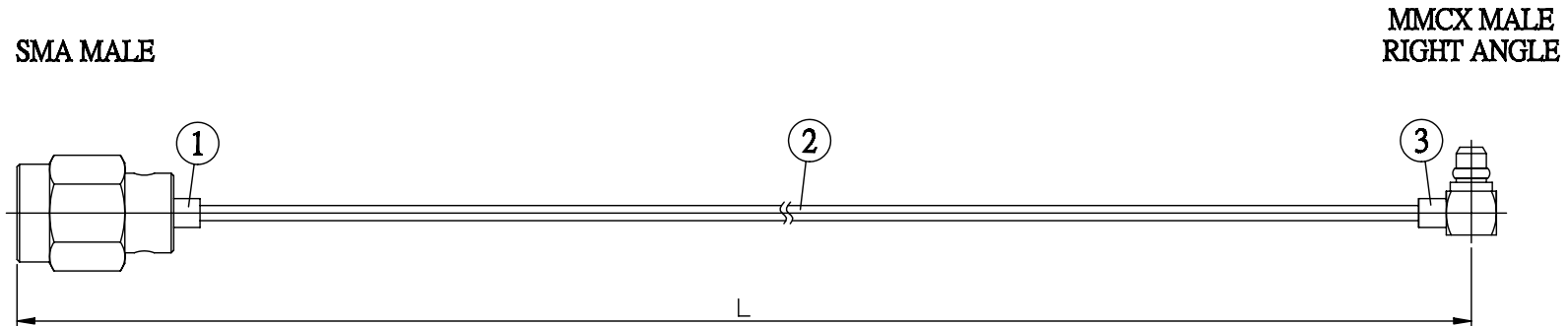


NO.	COMPONENTS	IMPEDANCE
1	SMA MALE	50 OHM
2	.047" HANDBENDABLE CABLE (= JYEBAO P/N .047SRF-W-P-50)	50 OHM
3	MMCX MALE RIGHT ANGLE	50 OHM



JYE BAO P/N	L CM (INCH)
A30E39-47S-15	15 (5.906)
A30E39-47S-30	30 (11.811)
A30E39-47S-50	50 (19.685)
A30E39-47S-100	100 (39.370)
A30E39-47S-150	150 (59.055)
A30E39-47S-200	200 (78.740)
A30E39-47S-XXX	CUSTOM LENGTH IN CM

LENGTH TOLERANCE IS ±1.5% OR ±10MM, WHICHEVER IS GREATER.	JYE BAO CO., LTD. TAIPEI TAIWAN
	<small>DESCRIPTION</small> CABLE ASSEMBLY SMA PLUG TO MMCX PLUG R/A
	<small>JYE BAO DRAWING NO.</small> A30E39-47S-XXX