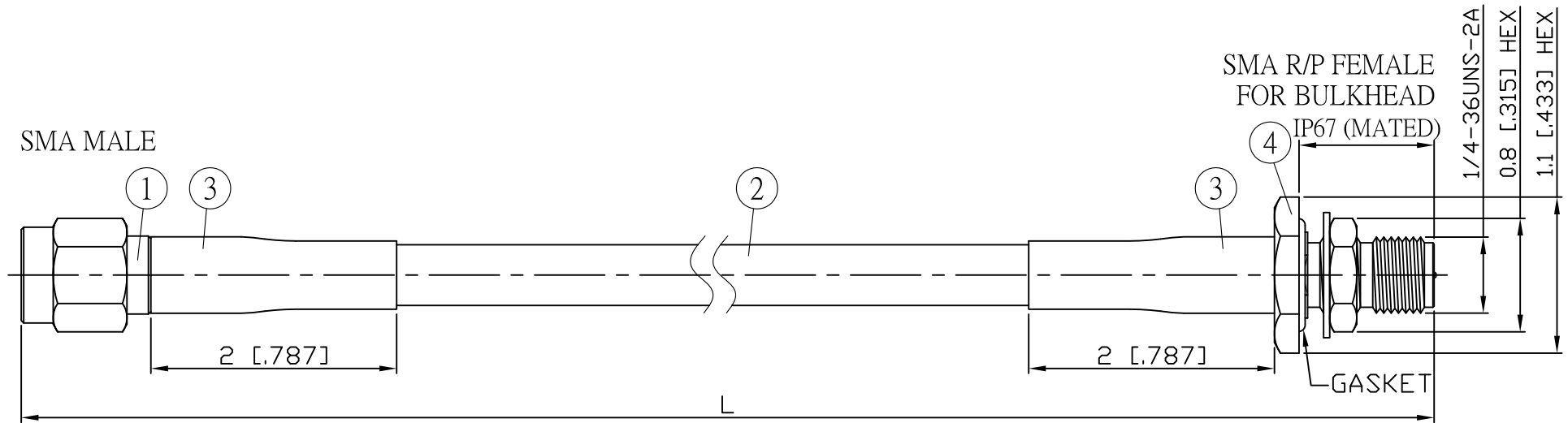
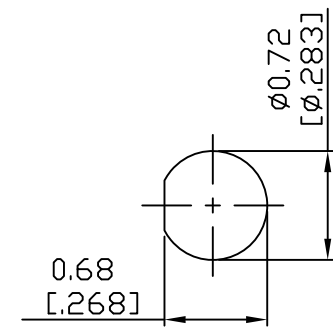


NO.	COMPONENTS	IMPEDANCE
1	SMA MALE	50 OHM
2	JBY195	50 OHM
3	HEAT SHRINKING TUBE	
4	SMA REVERSE POLARITY FEMALE FOR BULKHEAD	50 OHM

REVISION			
REV.	DESCRIPTION	DATE	APPROVED
-	INITIAL RELEASE	2012/08/15	
A	修正SMA螺紋規格	2013/10/01	



JYE BAO P/N	L CM (INCH)	L1 FT (MM)
A30A95-L195-15	15 (5.906)	0.454 (138.5)
A30A95-L195-30	30 (11.811)	0.947 (288.5)
A30A95-L195-50	50 (19.685)	1.603 (488.5)
A30A95-L195-100	100 (39.370)	3.243 (988.5)
A30A95-L195-150	150 (59.055)	4.884 (1488.5)
A30A95-L195-200	200 (78.740)	6.524 (1988.5)
A30A95-L195-XXX	CUSTOM LENGTH IN CM	- - -



MOUNTING HOLE

					STANDARD	REV A	UNIT CM(INCH)	JYE BAO CO., LTD.	
LENGTH TOLERANCE IS $\pm 1.5\%$ OR $\pm 10\text{MM}$, WHICHEVER IS GREATER.					APPROVED		DATE	TAIPEI TAIWAN	
					CHECKED		DATE	DESCRIPTION CABLE ASSEMBLY SMA PLUG TO SMA R/P JACK FOR BULKHEAD	
					DRAWING	Albert	DATE	JYE BAO DRAWING NO. A30A95-L195-XXX	
4	SMA9105-0058	SMA R/P JACK	1	EA					
3	G5(F)-8.0MM-BLACK	TUBE	0.04	M					
2	JBY195	CABLE	L1 (SEE TABLE)	FT					
1	SMA3100-0058	SMA PLUG	1	EA					
NO.	PARTS NO.	DESCRIPTION	Q'TY	U/M					