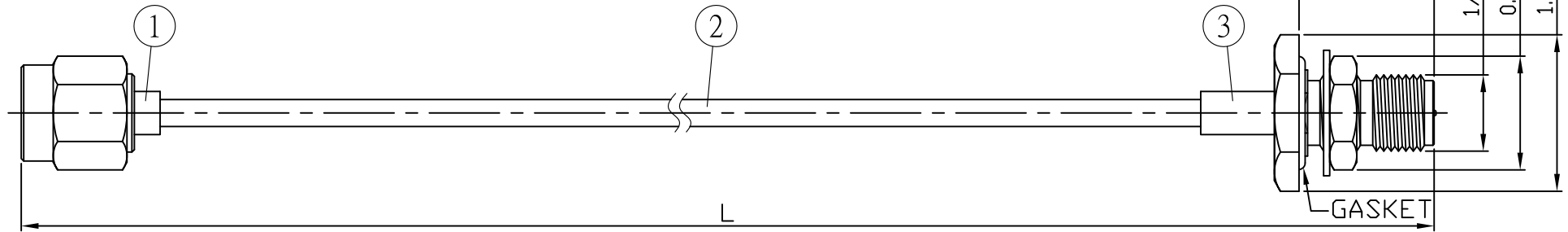


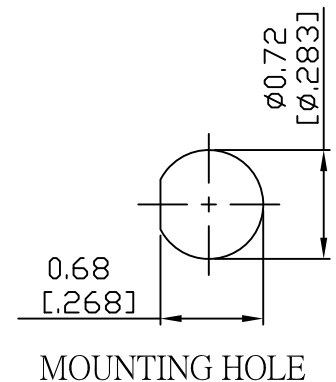
NO.	COMPONENTS	IMPEDANCE
1	SMA MALE	50 OHM
2	.085" TIN PLATED SEMI-RIGID CABLE (TIN PLATED RG405)	50 OHM
3	SMA REVERSE POLARITY FEMALE FOR BULKHEAD	50 OHM

REVISION			
REV.	DESCRIPTION	DATE	APPROVED
-	INITIAL RELEASE	2012/08/15	
A	修正SMA螺紋規格	2013/10/01	

SMA MALE



JYE BAO P/N	L CM (INCH)	L1 FT (MM)
A30A95-85T-15	15 (5.906)	0.454 (138.5)
A30A95-85T-30	30 (11.811)	0.947 (288.5)
A30A95-85T-50	50 (19.685)	1.603 (488.5)
A30A95-85T-100	100 (39.370)	3.243 (988.5)
A30A95-85T-150	150 (59.055)	4.884 (1488.5)
A30A95-85T-200	200 (78.740)	6.524 (1988.5)
A30A95-85T-XXX	CUSTOM LENGTH IN CM	- - -



					STANDARD	REV A	UNIT CM(INCH)	JYE BAO CO., LTD.		
LENGTH TOLERANCE IS ±1.5% OR ±10MM, WHICHEVER IS GREATER.					APPROVED			TAIPEI TAIWAN		
					CHECKED			DESCRIPTION	CABLE ASSEMBLY SMA PLUG TO SMA R/P JACK FOR BULKHEAD	
					DRAWING	Albert		JYE BAO DRAWING NO.	A30A95-85T-XXX	
3	SMA9305A-0085	SMA R/P JACK	1	EA						
2	.085TIN-W-P-50	CABLE	L1 (SEE TABLE)	FT						
1	SMA3300-0085	SMA PLUG	1	EA						
NO.	PARTS NO.	DESCRIPTION	Q'TY	U/M						