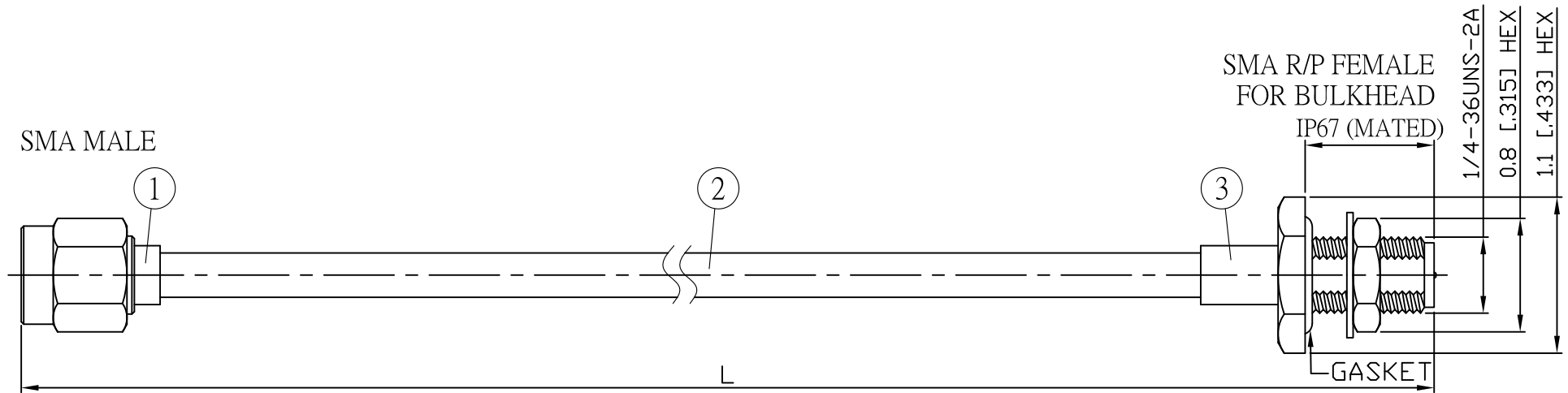
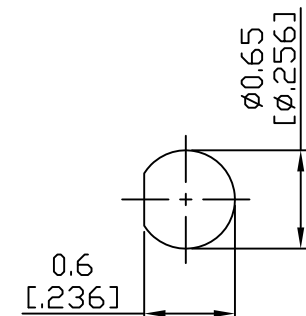


NO.	COMPONENTS	IMPEDANCE
1	SMA MALE	50 OHM
2	.141" HANDBENDABLE CABLE (= JYEBAO P/N .141SRF-W-P-50)	50 OHM
3	SMA REVERSE POLARITY FEMALE FOR BULKHEAD	50 OHM

REVISION			
REV.	DESCRIPTION	DATE	APPROVED
-	INITIAL RELEASE	2012/08/15	
A	修正SMA螺紋規格	2013/10/01	



JYE BAO P/N	L CM (INCH)	L1 FT (MM)
A30A95-141S-15	15 (5.906)	0.454 (138.5)
A30A95-141S-30	30 (11.811)	0.947 (288.5)
A30A95-141S-50	50 (19.685)	1.603 (488.5)
A30A95-141S-100	100 (39.370)	3.243 (988.5)
A30A95-141S-150	150 (59.055)	4.884 (1488.5)
A30A95-141S-200	200 (78.740)	6.524 (1988.5)
A30A95-141S-XXX	CUSTOM LENGTH IN CM	- - -



MOUNTING HOLE

				STANDARD	REV A	UNIT CM(INCH)	JYE BAO CO., LTD. TAIPEI TAIWAN
				APPROVED		DATE	
				CHECKED		DATE	
				DRAWING Albert		DATE	
3	SMA9305-0141	SMA R/P JACK	1	EA	DESCRIPTION CABLE ASSEMBLY SMA PLUG TO SMA R/P JACK FOR BULKHEAD		
2	.141SRF-W-P-50	CABLE	L1 (SEE TABLE)	FT	JYE BAO DRAWING NO.		
1	SMA3300-0141	SMA PLUG	1	EA	A30A95-141S-XXX		
NO.	PARTS NO.	DESCRIPTION	Q'TY	U/M			

LENGTH TOLERANCE
IS ±1.5% OR ±10MM,
WHICHEVER IS
GREATER.