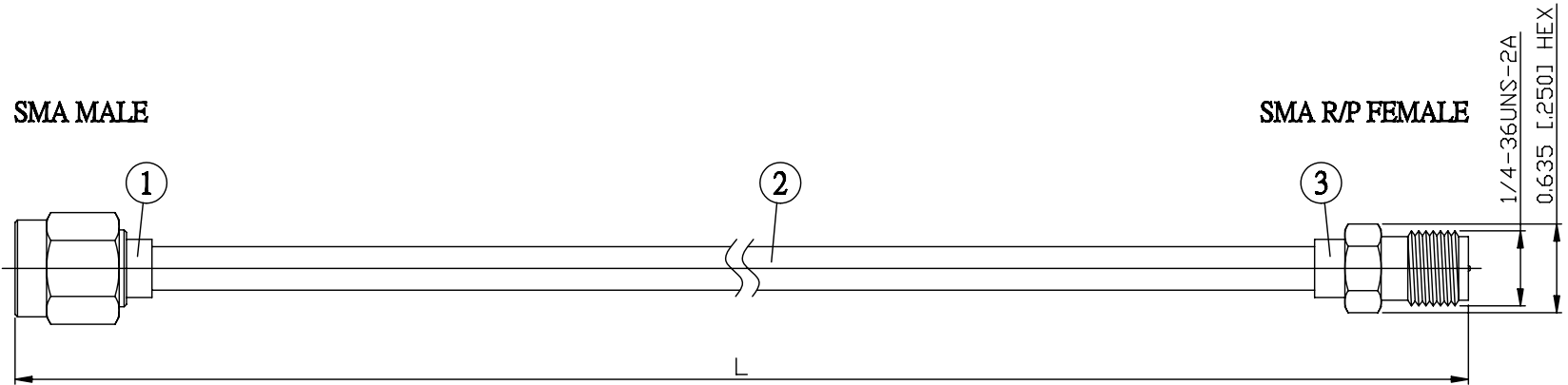


NO.	COMPONENTS	IMPEDANCE
1	SMA MALE	50 OHM
2	.141" TIN PLATED SEMI-RIGID CABLE (TIN PLATED RG402)	50 OHM
3	SMA REVERSE POLARITY FEMALE	50 OHM



JYE BAO P/N	L CM (INCH)
A30A90-141T-15	15 (5.906)
A30A90-141T-30	30 (11.811)
A30A90-141T-50	50 (19.685)
A30A90-141T-100	100 (39.370)
A30A90-141T-150	150 (59.055)
A30A90-141T-200	200 (78.740)
A30A90-141T-XXX	CUSTOM LENGTH IN CM

<p>LENGTH TOLERANCE IS ±1.5% OR ±10MM, WHICHEVER IS GREATER.</p>	<p><b>JYE BAO CO., LTD.</b></p> <p>TAIPEI TAIWAN</p>
	<p>DESCRIPTION CABLE ASSEMBLY SMA PLUG TO SMA R/P JACK</p>
	<p>JYE BAO DRAWING NO. A30A90-141T-XXX</p>