

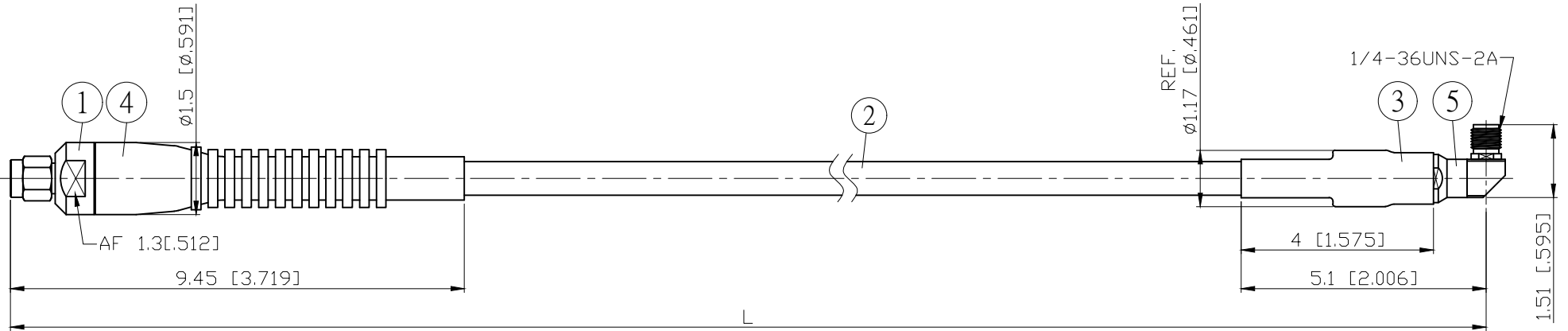
NO.	COMPONENTS	IMPEDANCE
1	SMA MALE	50 OHM
2	6005A	50 OHM
3	HEAT SHRINKING TUBE	
4	SLEEVE	
5	SMA FEMALE RIGHT ANGLE	50 OHM

REVISION			
REV.	DESCRIPTON	DATE	APPROVED
-	INITIAL RELEASE	2019/05/30	

SUPER FLEXIBLE TEST LEAD WITH EXTRA STURDY CABLE / CONNECTOR CONNECTION.

SMA MALE

SMA FEMALE
RIGHT ANGLE



JYE BAO P/N	Freq. (GHz)	Max. Return Loss	L CM (INCH)
A30A89-65-18GXXX	18	-16.5dB	50 (19.685)
			100 (39.370)
			150 (59.055)
			200 (78.740)
			CUSTOM LENGTH IN CM

※ RoHS COMPLIANT

NOTE: TEMPERATURE RANGE: -40°C ~ +85°C

LENGTH TOLERANCE
IS ±1.5% OR ±10MM,
WHICHEVER IS
GREATER.

JYE BAO CO., LTD.

TAIPEI TAIWAN

DESCRIPTION

CABLE ASSEMBLY SMA PLUG TO SMA JACK R/A

JYE BAO DRAWING NO.

A30A89-65-18GXXX