

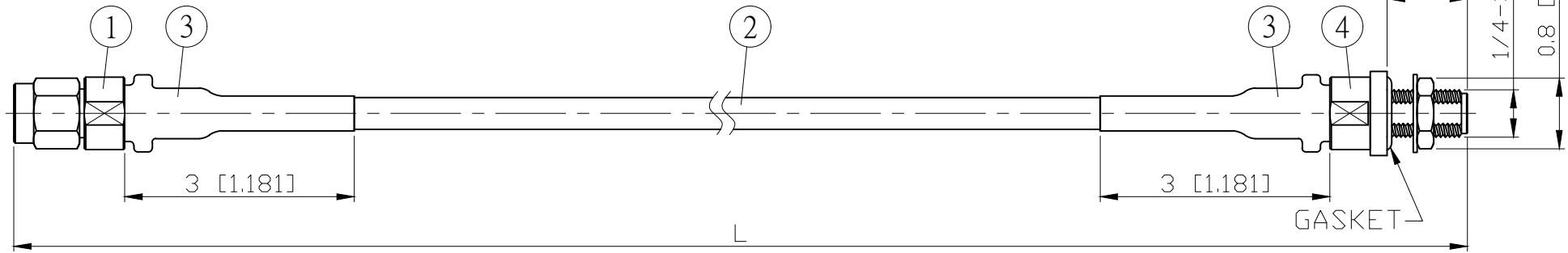
NO.	COMPONENTS	IMPEDANCE
1	SMA MALE	50 OHM
2	5003	50 OHM
3	HEAT SHRINKING TUBE	
4	SMA FEMALE FOR BULKHEAD	50 OHM

REVISION			
REV.	DESCRIPTION	DATE	APPROVED
-	INITIAL RELEASE	2013/08/23	
A	增加接頭介面圖、註記	2014/01/13	

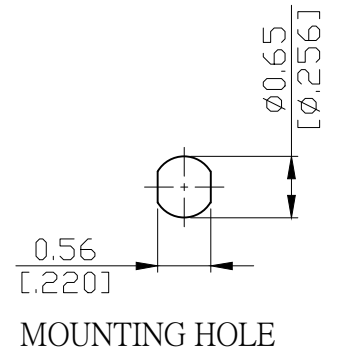
TEST LEAD WITH EXTRA STURDY CABLE / CONNECTOR CONNECTION.

SMA MALE

SMA FEMALE
FOR BULKHEAD



JYE BAO P/N	Freq. (GHz)	Max. Return Loss	L CM (INCH)	L1 FT (MM)
A30A85-5003-18GXXX	18	-18dB	50 (19.685)	1.585 (483.0)
			100 (39.370)	3.225 (983.0)
			150 (59.055)	4.865 (1483.0)
			200 (78.740)	6.506 (1983.0)
			CUSTOM LENGTH IN CM	CUSTOM LENGTH IN CM



					STANDARD	REV A	UNIT CM(INCH)	JYE BAO CO., LTD.		
					APPROVED			TAIPEI TAIWAN		
4	SMA8205S-S402	SMA JACK	1	EA	LENGTH TOLERANCE IS ±1.5% OR ±10MM, WHICHEVER IS GREATER.			DATE	DESCRIPTION	
3	G5(F)-10MM-BLACK	TUBE	0.06	M				CHECKED	DATE	CABLE ASSEMBLY SMA PLUG TO SMA FEMALE FOR BULKHEAD
2	5003	CABLE	L1 (SEE TABLE)	FT				DRAWING	DATE	JYE BAO DRAWING NO.
1	SMA32NP-S402	SMA PLUG	1	EA				Albert	DATE	A30A85-5003-18GXXX
NO.	PARTS NO.	DESCRIPTION	QTY	U/M						