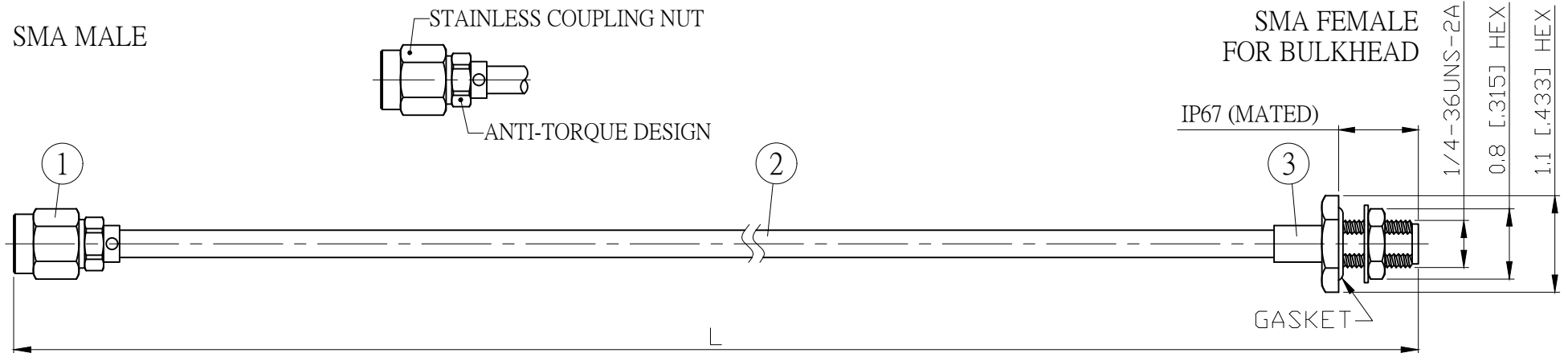
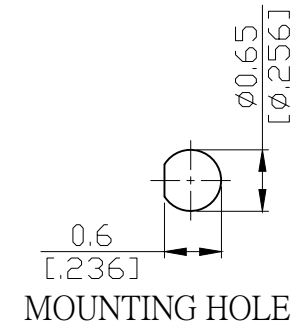


NO.	COMPONENTS	IMPEDANCE
1	SMA MALE	50 OHM
2	.141" HANDBENDABLE CABLE (= JYBAO P/N .141SRF-W-P-50)	50 OHM
3	SMA FEMALE FOR BULKHEAD	50 OHM

REVISION			
REV.	DESCRIPTION	DATE	APPROVED
-	INITIAL RELEASE	2016/01/20	



JYE BAO P/N	Freq. (GHz)	Max. Return Loss	L CM (INCH)	L1 FT (MM)
A30A85-141S-27GXXX	27	-17dB	50 (19.685)	1.604 (489.0)
			100 (39.370)	3.245 (989.0)
			150 (59.055)	4.885 (1489.0)
			200 (78.740)	6.526 (1989.0)
			CUSTOM LENGTH IN CM	CUSTOM LENGTH IN CM



3	SMA8305-0141	SMA JACK	1	EA	LENGTH TOLERANCE IS ±1.5% OR ±10MM, WHICHEVER IS GREATER.	STANDARD	REV -	UNIT CM(INCH)	<b>JYE BAO CO., LTD.</b> TAIPEI TAIWAN	
2	.141SRF-W-P-50	CABLE	L1 (SEE TABLE)	FT		APPROVED	DATE	DESCRIPTION		CABLE ASSEMBLY SMA PLUG TO SMA JACK FOR BULKHEAD
1	SMA33AT-0141	SMA PLUG	1	EA		CHECKED	DATE	DESCRIPTION		JYE BAO DRAWING NO.
NO.	PARTS NO.	DESCRIPTION	QTY	U/M		DRAWING	DATE	DESCRIPTION		A30A85-141S-27GXXX
						Albert				