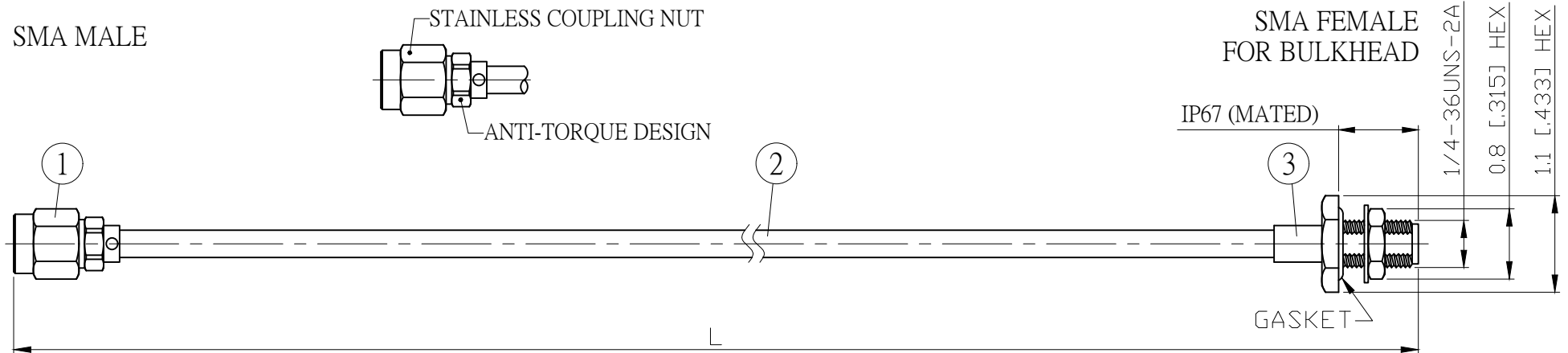
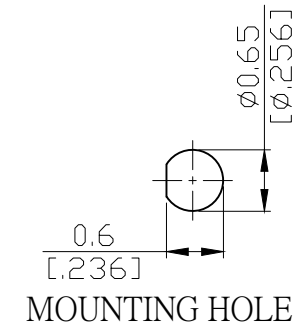


NO.	COMPONENTS	IMPEDANCE
1	SMA MALE	50 OHM
2	.141" HANDBENDABLE CABLE (= JYEBAO P/N .141SRF-W-P-50)	50 OHM
3	SMA FEMALE FOR BULKHEAD	50 OHM

REVISION			
REV.	DESCRIPTION	DATE	APPROVED
-	INITIAL RELEASE	2016/01/20	



JYE BAO P/N	Freq. (GHz)	Max. Return Loss	L CM (INCH)	L1 FT (MM)
A30A85-141S-18GXXX	18	-18dB	50 (19.685)	1.604 (489.0)
			100 (39.370)	3.245 (989.0)
			150 (59.055)	4.885 (1489.0)
			200 (78.740)	6.526 (1989.0)
			CUSTOM LENGTH IN CM	CUSTOM LENGTH IN CM



LENGTH TOLERANCE IS $\pm 1.5\%$ OR $\pm 10\text{MM}$ , WHICHEVER IS GREATER.					STANDARD	REV -	UNIT CM(INCH)	<b>JYE BAO CO., LTD.</b> TAIPEI TAIWAN	
					APPROVED				DATE
					CHECKED				DATE
					DRAWING Albert				DATE
3	SMA8305-0141	SMA JACK	1	EA	DESCRIPTION			CABLE ASSEMBLY SMA PLUG TO SMA JACK FOR BULKHEAD	
2	.141SRF-W-P-50	CABLE	L1 (SEE TABLE)	FT	JYE BAO DRAWING NO.			A30A85-141S-18GXXX	
1	SMA33AT-0141	SMA PLUG	1	EA					
NO.	PARTS NO.	DESCRIPTION	QTY	U/M					